

METALBIT ROLLER SHUTTER - SPRING BALANCED FIXING INSTRUCTIONS

Installation should only be carried out by a competent person or personal injury may result.

Metalbilt Rolling Doors are engineered to suit each particular opening. To get full performance from this mechanical 'door' it must be installed carefully and correctly.

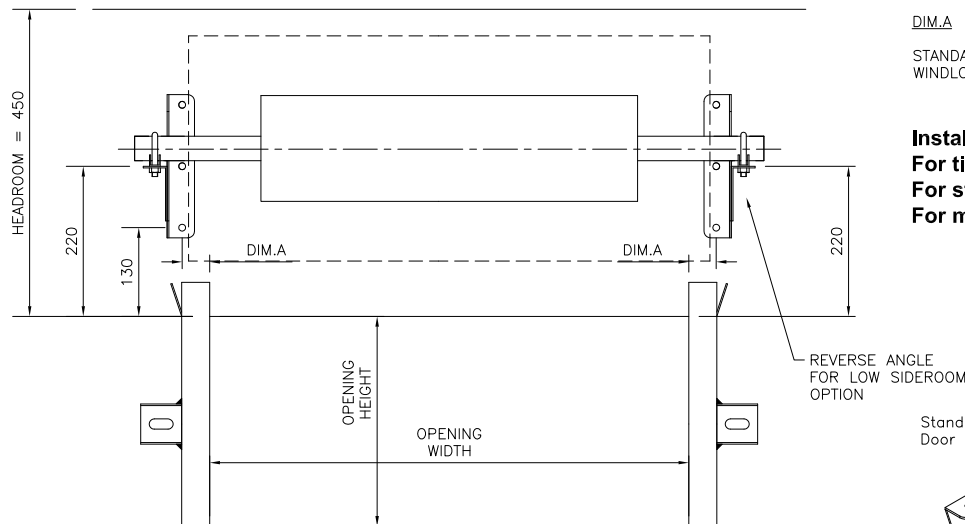
1. Before Installation, check that the opening is square and true and that adequate side room is available.

2. Layout of Fixings

The wall mounting must be sufficiently strong to suit the weight of the door. Every effort has been made to maximise flexibility for ease of installation. The barrel axle can be shortened with a hacksaw if necessary.

NOTE - The fixings provided are suitable for normal installations.

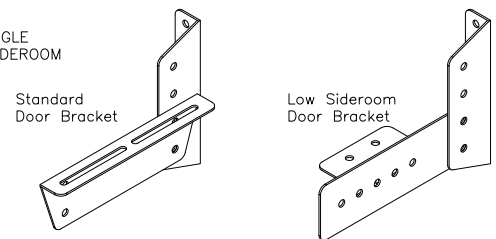
It is the responsibility of the installer to ensure the door is adequately mounted.



DIM.A

STANDARD GUIDES = 50
WINDLOCKED GUIDES = 95

Install the barrel brackets using correct fixings:
For timber fixing use M10x75 coachscrew.
For steel fixing use M10x50 Eng.bolt.
For masonry fixing use M10x75 Dyna-bolt.



3. Unpack Door

- Important:
- (a) Do not cut straps binding the curtain until after installing door and securing the U clamps.
 - (b) Check for damage in transit. When you receive your door - examine it for damage. The Consignee should claim against the carrier. If the claim is declined then the damage should be reported at once to the nearest Metalbilt Branch with details.

4. Barrel Brackets.

Assemble the angle brackets as shown with bolts supplied. Mark and drill fixing holes in accordance with positions shown in Step 2. Select bracket holes that best suit each installation.

5. Fit Barrel Brackets.

Secure barrel support brackets using the fixings supplied. For doors with less than standard sideroom and for mullion pairs refer special details.

6. Lifting Doors into Position.

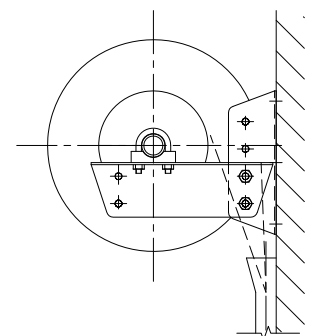
- (a) Place door on floor inside opening immediately behind jambs.
- (b) Use padded strap around centre of shutter.
- (c) Using suitably positioned lifting gear hoist door into position. Lift each end on to top of protruding angle.

7. Barrel Clamping

Locate barrel axle with U clamps. Select U bolt hole positions so that the curtain will just clear the face of the lintel as it unwinds from the barrel.

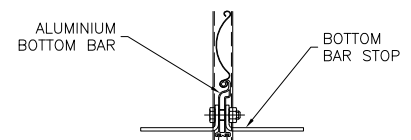
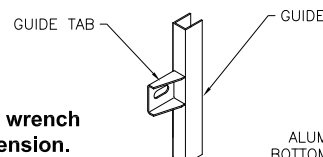
8. Fixing Guides.

- (a) Stand guides against inside face of wall with the edge of the guide in line with the jamb.
- (b) Mark off hole centres using the guides as a template.
- (c) Drill fixing holes and secure guides to wall using correct fixings detailed above.
- (d) Release binding straps from barrel and gently ease the curtain into the guides and down to the floor. NOTE - The curtain will need restraining to prevent it from falling.
- (e) Drill holes for the lockrods.



9. Setting Spring Tension

- (a) Grasp firm hold on axle with a 500mm pipe wrench.
- (b) Loosen U clamps at both ends of door.
- (c) Increase or decrease spring tension. NOTE - rotating the wrench opposite direction to the door going down will increase tension.
- (d) Tighten U clamps securely before releasing grip on wrench.
- (e) Test door operation and repeat if necessary.



10. Bottom Bar Stops (Optional)

If the door requires bottom bar stops, bolt or pop rivet to one or both sides of the bottom bar.