

Installation should only be carried out by a competent person or personal injury may result.

Metalbit doors are engineered to suit each particular opening. To get full performance from this mechanical 'door' it must be installed carefully and correctly.

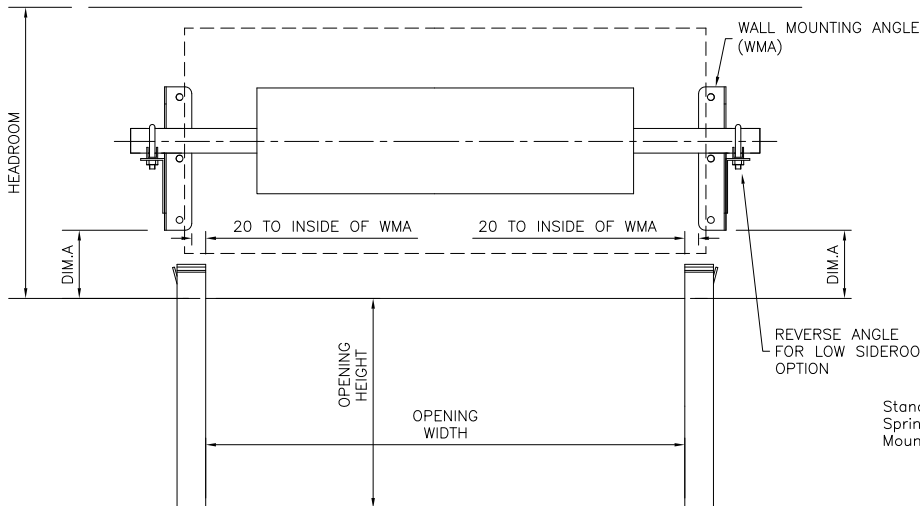
1. **Before Installation, check that the opening is square and true and that adequate side room is available.**
For Motorised Doors refer to Section 11 or 12 overleaf.

2. Layout of Fixings

The wall mounting must be sufficiently strong to suit the weight of the door. Every effort has been made to maximise flexibility for ease of installation. The barrel axle can be shortened with a hacksaw if necessary.

NOTE - The fixings provided are suitable for normal installations.

It is the responsibility of the installer to ensure the door is adequately mounted.



HEADROOM

Opening up to 1.250 =	380
Opening up to 2.000 =	410
Opening up to 3.000 =	450
Opening up to 4.000 =	500
Opening up to 5.000 =	-

12mm GRILLE	VISION & CLEARSPAN SHUTTER	19mm GRILLE
-------------	----------------------------	-------------

DIM.A

(to underside of WMA)

Opening up to 1.250 =	75
Opening up to 2.000 =	85
Opening up to 3.000 =	100
Opening up to 4.000 =	125
Opening up to 5.000 =	-

380	355	415
410	385	440
450	405	480
500	435	510
-	465	550

Standard Spring Balanced Mounting Assembly

Low Sideroom Spring Balanced Mounting Assembly

3. Unpack Door

Important:

- (a) Do not cut straps binding the curtain until after installing door and securing the U clamps.
- (b) Check for damage in transit. When you receive your door - examine it for damage. The Consignee should claim against the carrier. If the claim is declined then the damage should be reported at once to the nearest Metalbit Doors Branch with details.

4. Barrel Brackets.

Assemble the angle brackets as shown with bolts supplied. Mark and drill fixing holes in accordance with positions shown in Step 2. Select bracket holes that best suit each installation. Note: Dim.A is to the underside of the wall mounting angle.

5. Fit Barrel Brackets.

Secure barrel support brackets using the fixings supplied. For doors with less than standard sideroom and for mullion pairs refer special details.

6. Lifting Doors into Position.

- (a) Place door on floor inside opening immediately behind jambs.
- (b) Use padded strap around centre of shutter.
- (c) Using suitably positioned lifting gear hoist door into position. Lift each end on to top of protruding angle.

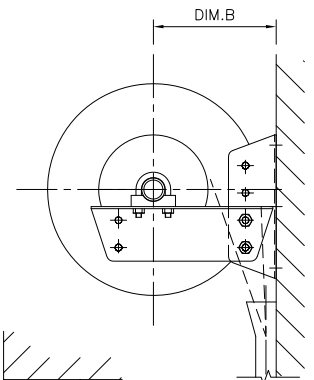
7. Barrel Clamping

Locate barrel axle with U clamps.
Select hole centres (Dim.B) from chart.

DIM.B

(wall to barrel ctr)			
Opening up to 1.25 =	165	165	180
Opening up to 2.00 =	180	165	195
Opening up to 3.00 =	210	180	225
Opening up to 4.00 =	225	195	240
Opening up to 5.00 =	-	-	255

12mm GRILLE	VISION & CLEARSPAN SHUTTER	19mm GRILLE
-------------	----------------------------	-------------



8. Fixing Guides.

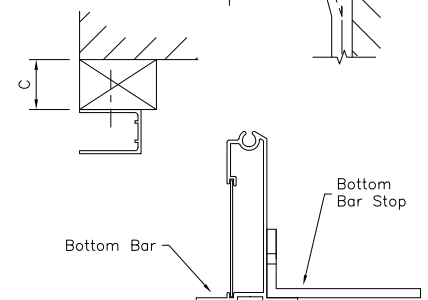
- (a) Prepare guide packers if required (Dim.C).
- (b) Stand guides against inside face of wall with the edge of the guide in line with the jamb.
- (c) Drill guide fixing holes at minimum 600mm crs.
- (d) Release binding straps from barrel and gently ease the curtain into the guides and down to the floor. NOTE - The curtain will need restraining to prevent it from falling.
- (e) Drill holes for the lockrods.

9. Setting Spring Tension

- (a) Grasp firm hold on axle with a 500mm pipe wrench.
- (b) Loosen U clamps at both ends of door.
- (c) Increase or decrease spring tension. NOTE - rotating the wrench opposite direction to the door going down will increase tension.
- (d) Tighten U clamps securely before releasing grip on wrench.
- (e) Test door operation and repeat if necessary.

DIM.C

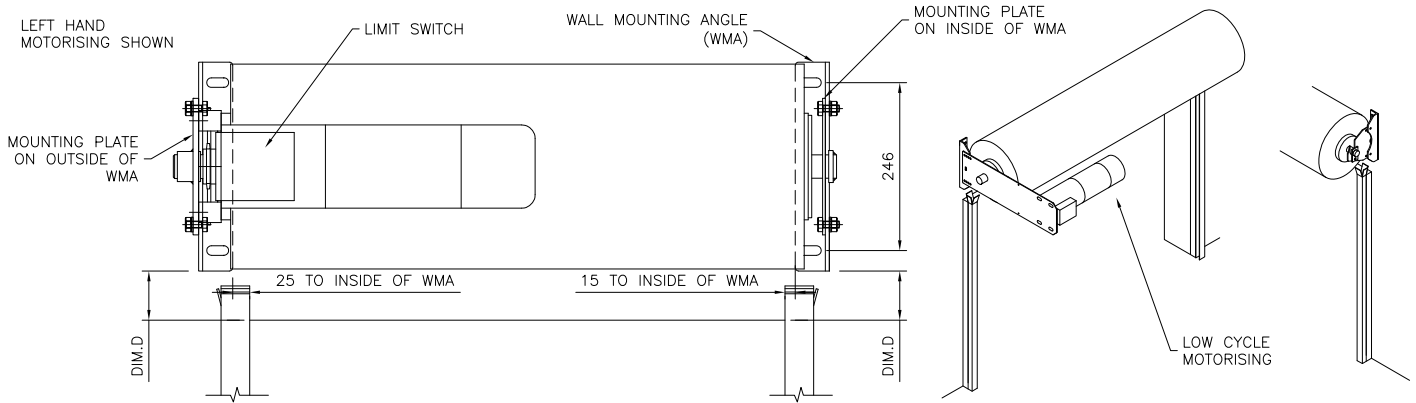
(guide packer width)	
Openings up to 2.000 =	Nil
Openings up to 3.000 =	40
Openings up to 4.000 =	50



10. Bottom Bar Stops (Optional)

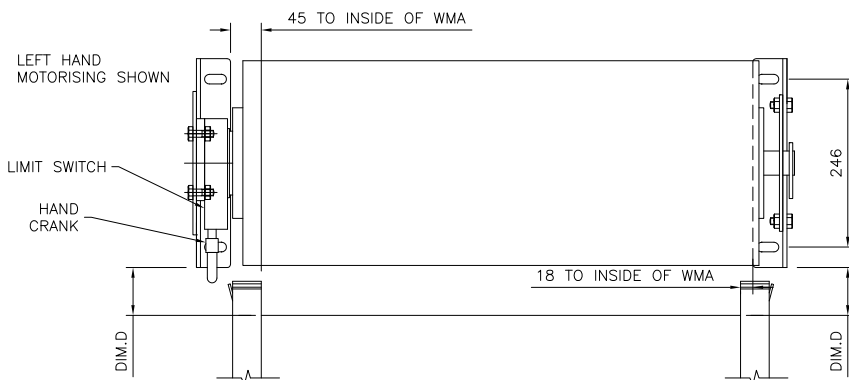
If the door requires bottom bar stops, bolt or pop rivet to one or both sides of the bottom bar.

11. LOW CYCLE MOTORISED FIXING INSTRUCTIONS

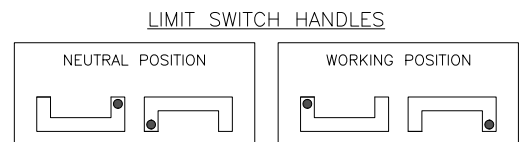


- a. Using 10mm fixings install the wall mounting angles as shown above using Chart Dim.D from Item 12. below.
- b. Bolt the non-drive end mounting plate to the inside of the corresponding wall mounting angle using two M10x30 bolts.
- c. Before raising the door into position, fix the drive end mounting plate to the barrel by feeding the shaft through the socket welded onto the mounting plate and fit M10x50 bolt and nut.
- d. Lift the door and drop the non drive end of the shaft into the opening on the non drive end mounting plate. Then line up the holes on drive end mounting plate with the holes on the outside of the wall mounting angle, ensuring the same set of mounting holes are used on both mounting plates so the barrel runs parallel to the wall.
- e. When satisfied with the arrangement bend the lug on the non drive end mounting plate over the shaft to secure the barrel.
- f. Install the guides as per the spring balance data sheet Item No.8.
- g. Mount the motor to the motor bracket with the limit switches facing away from the opening using four M10x70.
- h. Fit chain to sprockets. Tension the chain using the adjusting bolts on the motor mounting (loosen locknuts and bolts first).
- i. Remove the strapping from the barrel and lower the curtain into the guides using the hand chain. Check clearances.
- j. **Limit Switch Setting** - Using the hand chain or the power supply, adjust the limit switches as follows. Drive the curtain to the top of the opening. (CAUTION 230V - Isolate the power before making any adjustments). Remove the limit switch cover. Slacken the locking screw and turn the thumbscrew until the limit switch is tripped. Retighten the locking screw. Drive the door closed and repeat this procedure. Fully open and close door to check limit switch settings. Replace the limit switch cover.

12. INTERNAL BARREL MOTORISED FIXING INSTRUCTIONS



DIM.D (to underside of WMA)	12mm GRILLE	VISION & CLEARSPAN SHUTTER	19mm GRILLE
Opening up to 1.25 =	60	60	80
Opening up to 2.00 =	70	60	80
Opening up to 3.00 =	85	70	95
Opening up to 4.00 =	110	85	110
Opening up to 5.00 =	-	-	120



- a. Install the barrel brackets as shown above.
For timber fixing use M10x75 coachscrew.
For steel fixing use M10x50 Eng.bolt
For masonry fixing use D10x60 Dyna-bolt.
- b. Bolt the non-drive end mounting plate to the inside of the corresponding wall mounting angle using two M10x30 bolts. Select hole positions with reference to the Dim.B chart as per the spring balance data sheet.
- c. Before raising the door into position, fix the drive end mounting plate to the tube motor using four M10x30 bolts and nuts.
- d. Lift the door and drop the non-drive end of the shaft into the opening on the non drive end mounting plate. Then line up the holes on the drive end mounting plate with the holes on the wall mounting angle, ensuring the same set of mounting holes are used on both mounting plates so the barrel runs parallel to the wall.
- e. When satisfied with the arrangement bend the lug on the non drive end mounting plate over the shaft to secure the barrel.
- f. Install the guides as per the spring balance data sheet Item No.8.
- g. Remove the strapping from the barrel. Insert the handcrank rod into the end of the tube motor and lower the curtain down into the guides using the crank handle. Check clearances.
- h. **Limit switch setting** - Open the covers of the limit switches and set the top and bottom limit handles to the neutral position. Raise the shutter to the required height, stop the shutter and immediately switch the top limit handle to its working position. Lower the shutter to the required height, stop the shutter and immediately switch the bottom limit handle to its working position. Both limits have now been set. Raise and lower the shutter to ensure that both limits have been set correctly, if so, close the the cover board, if not, repeat previous steps.