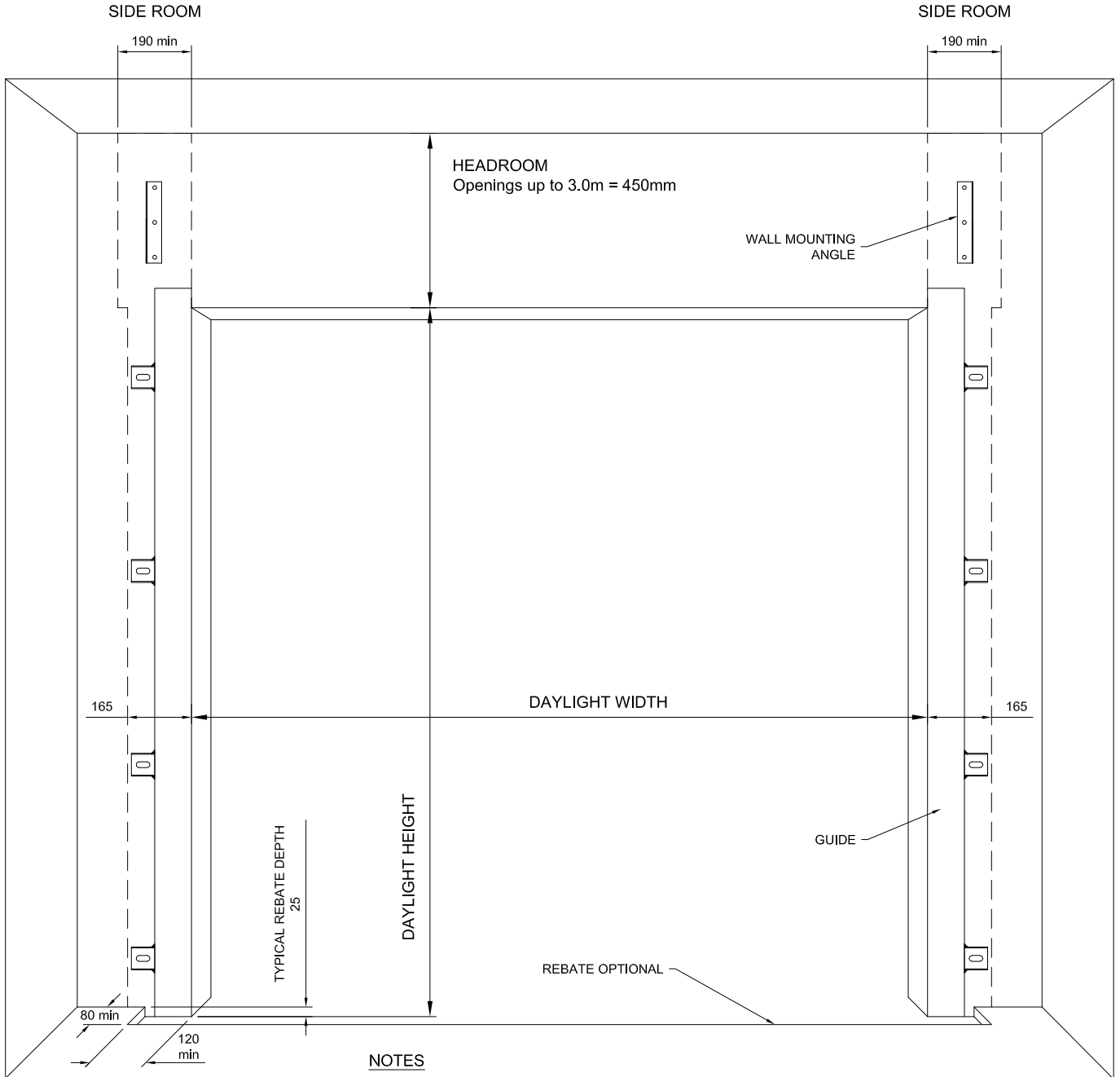


STEEL ROLLER SHUTTER - WINDLOCK GUIDES SPRING BALANCED

WALL CLEARANCE REQUIREMENTS

* FOR WALL STRUCTURE DETAILS & FIXINGS LAYOUT REFER TO SHEET S8-Wt & S8-Ws



NOTES

- STANDARD LAYOUT SHOWN. REFER TO SALES FOR SPECIAL CLEARANCE OPTIONS
- REFER TO THE METALBIT DOORS STEEL ROLLER SHUTTER SELECTION CHART FOR MAXIMUM DOOR SIZES

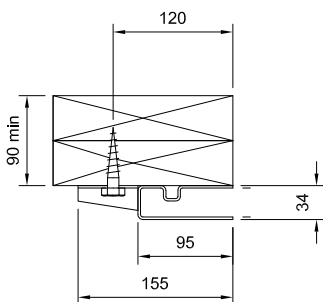
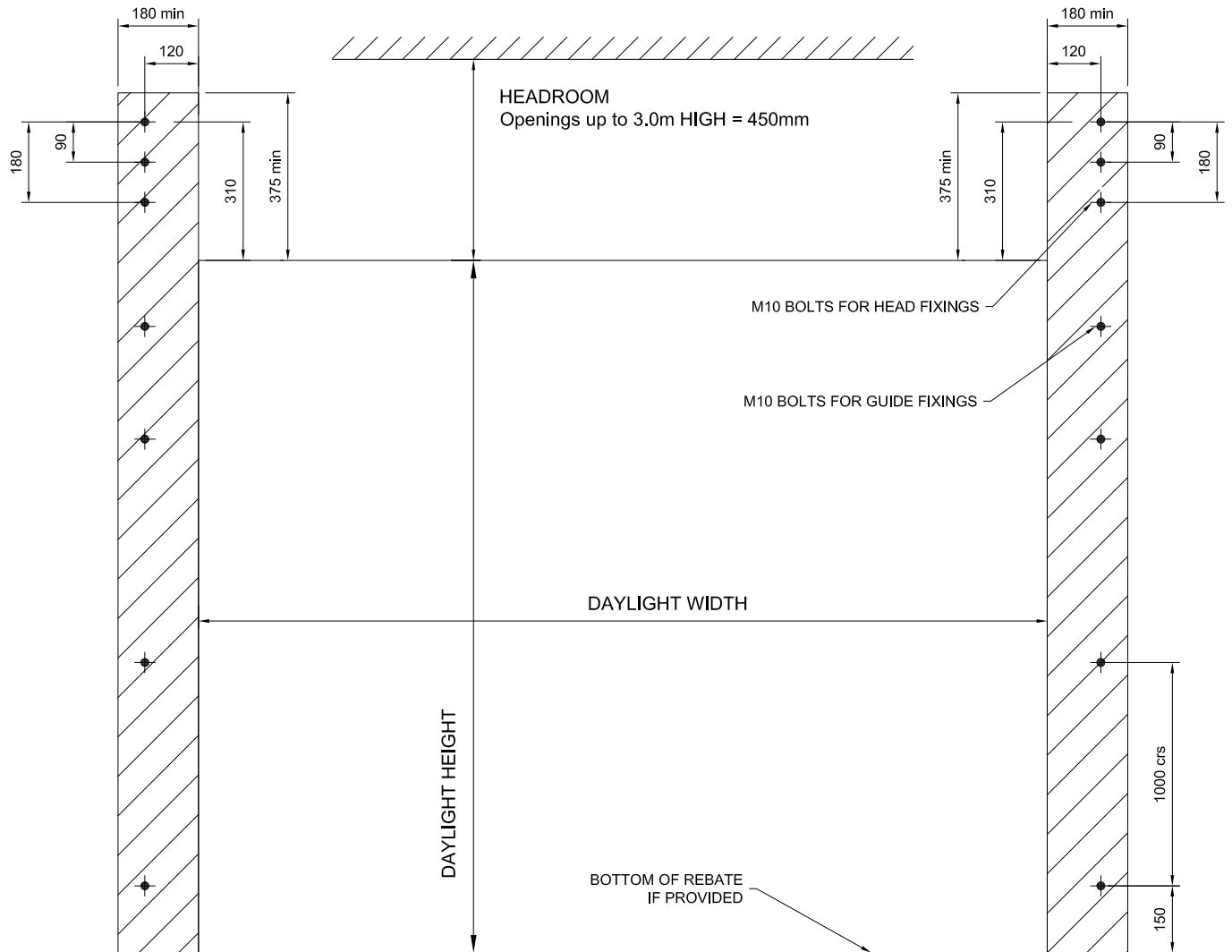
STEEL ROLLER SHUTTER - WINDLOCK GUIDES SPRING BALANCED

S8-Wt

TIMBER DETAILS AND FIXING LAYOUT

* FOR HEADROOM & SIDEROOM CLEARANCES REFER TO SHEET S7-W

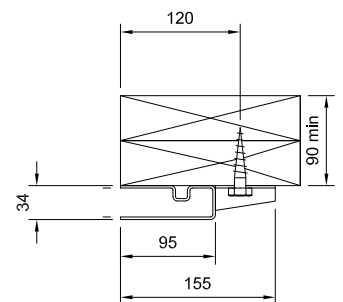
TYPICAL TIMBER
FIXING



TYPICAL TIMBER
STRUCTURE (BY OTHER)

NOTES

- FIXINGS CENTRES ARE THE SAME FOR BOTH SIDES OF THE DOOR
- STANDARD LAYOUT SHOWN. REFER TO SALES FOR SPECIAL CLEARANCE OPTIONS
- STRUCTURES SHOWN ARE INDICATIVE ONLY STRUCTURAL ENGINEERING TO BE CLIENTS CARE
- GUIDE FIXINGS REQUIRED UP TO LINTEL ONLY

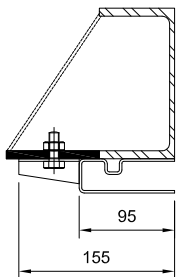
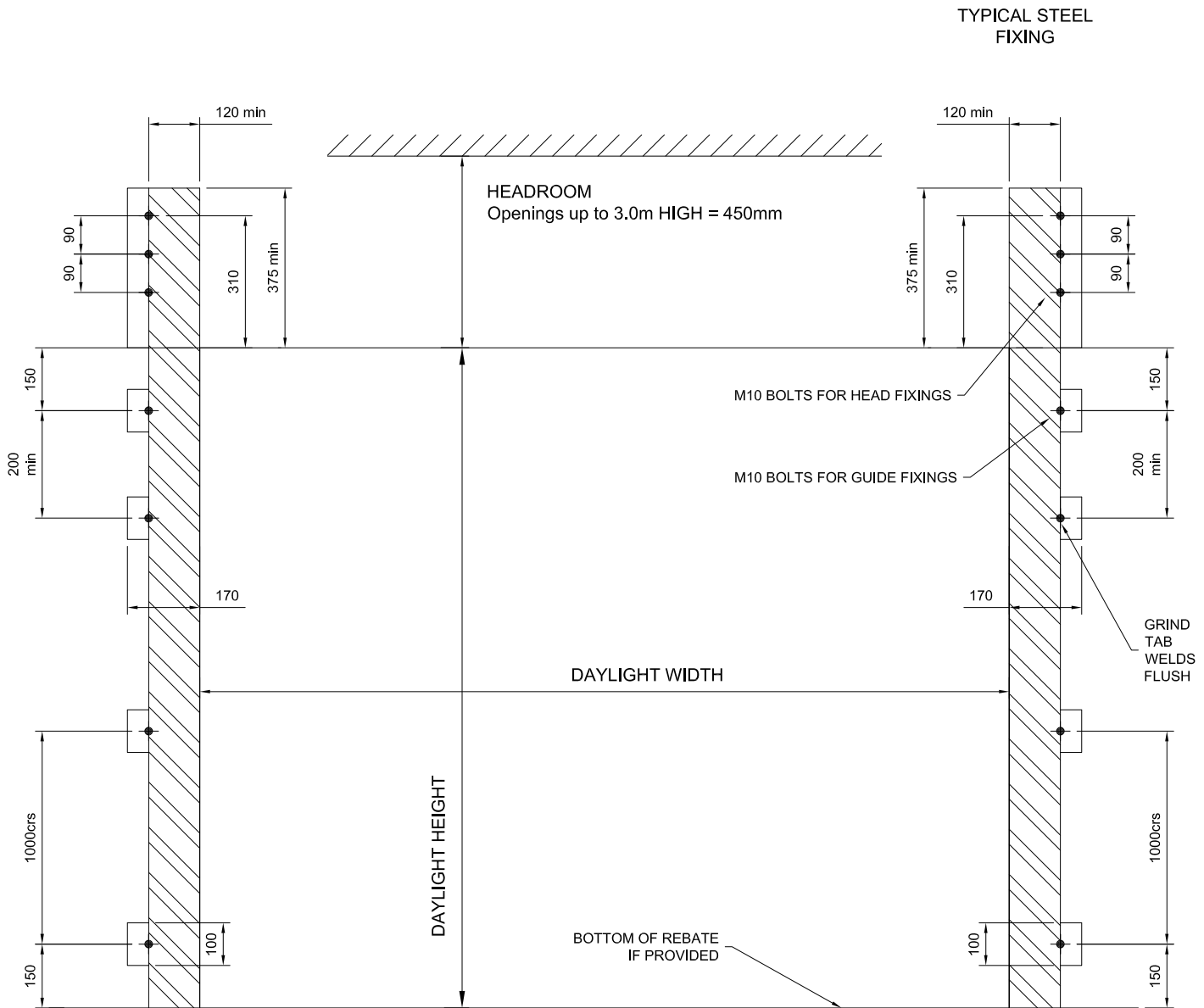


STEEL ROLLER SHUTTER - WINDLOCK GUIDES SPRING BALANCED

S8-Ws

STEEL DETAILS AND FIXING LAYOUT

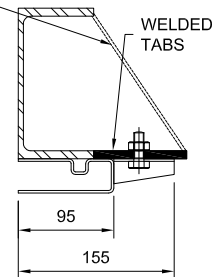
* FOR HEADROOM & SIDEROOM CLEARANCES REFER TO SHEET S7-W



NOTES

- FIXINGS CENTRES ARE THE SAME FOR BOTH SIDES OF THE DOOR
- STANDARD LAYOUT SHOWN. REFER TO SALES FOR SPECIAL CLEARANCE OPTIONS
- ALL TAB WELDS MUST BE GROUND FLUSH ON FACE OF STEEL STRUCTURE
- STRUCTURES SHOWN ARE INDICATIVE ONLY STRUCTURAL ENGINEERING TO BE CLIENTS CARE
- SEE METALBIT FOR ROLL FORMED JAMB RECOMMENDATIONS

BRACING RECOMMENDED.
REFER TO STRUCTURAL ENGINEER



TYPICAL STEEL
STRUCTURE (BY OTHERS)