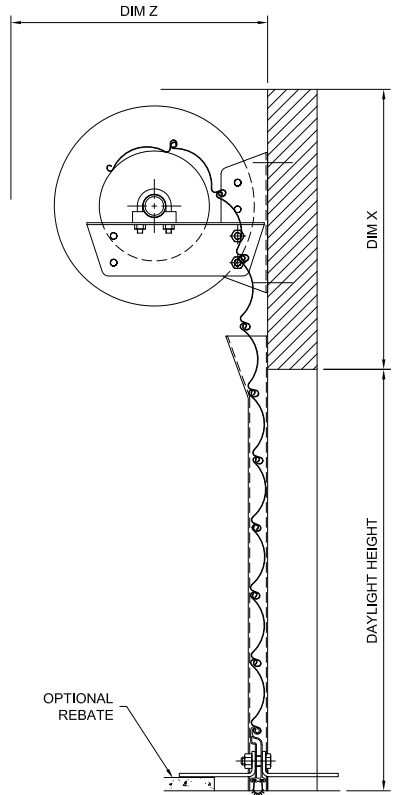


DOOR HEIGHT (m)	HEADROOM (DIM X)	INSIDE PROJECTION BARREL (DIM Z)
0 - 1.25	420mm	360mm
1.25 - 2.0	430mm	370mm
2.0 - 3.0	450mm	385mm



We reserve the right to alter specification without notice and without incurring obligation

STEEL ROLLER SHUTTER – STANDARD GUIDES  
 SPRING BALANCED – GENERAL ARRANGEMENT



MATERIAL - FINISH		CODE No.	SCALE	:	DRG No.	ISS.
B	28.05.13	TS				
ISS.	DATE	BY	APPVD.		15.02.13	

SRS\_STD\_SB B