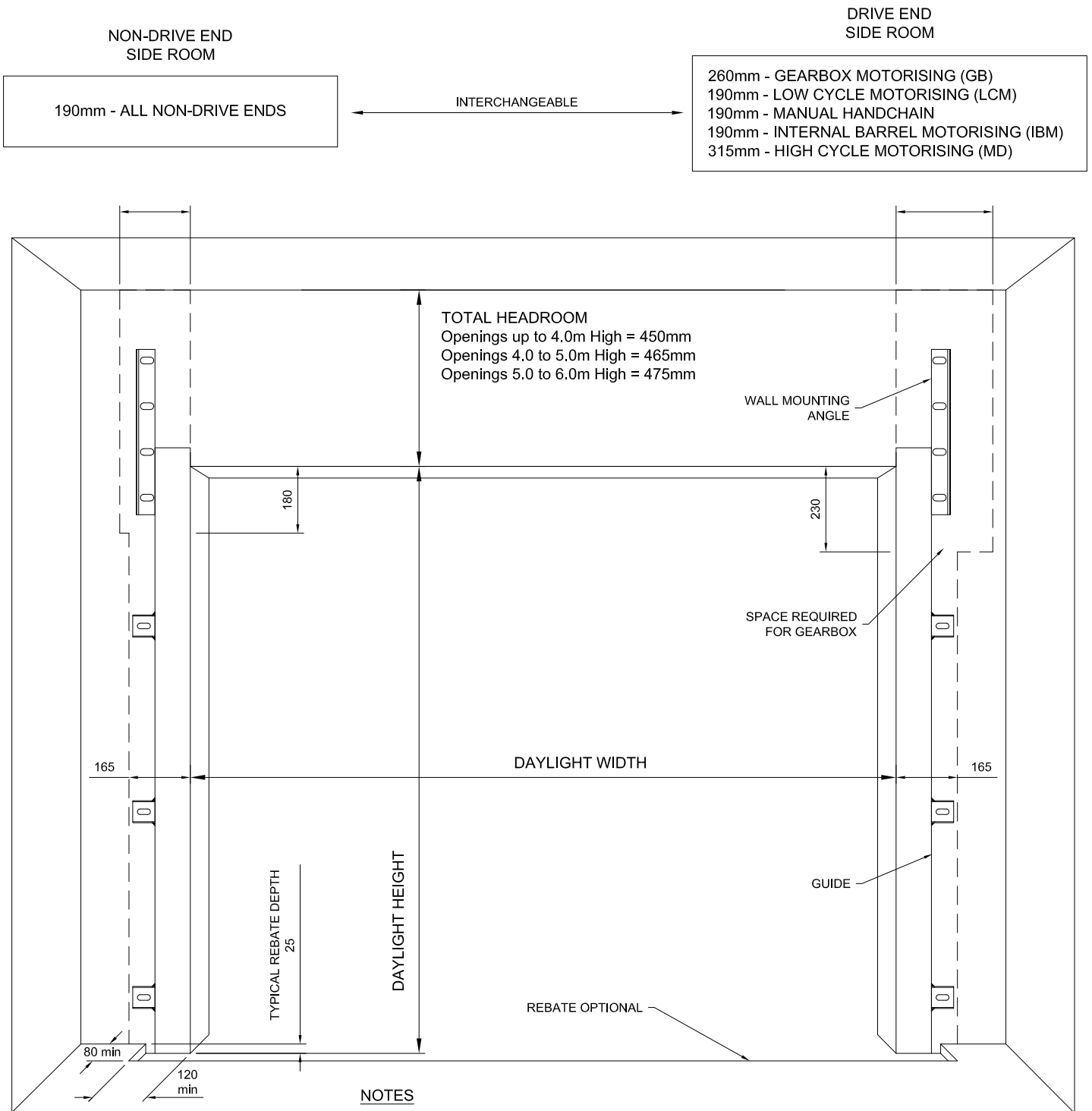


WALL CLEARANCE REQUIREMENTS

* FOR WALL STRUCTURE DETAILS & FIXINGS LAYOUT REFER TO SHEET S4-Wt & S4-Ws



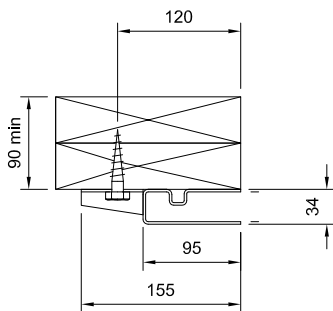
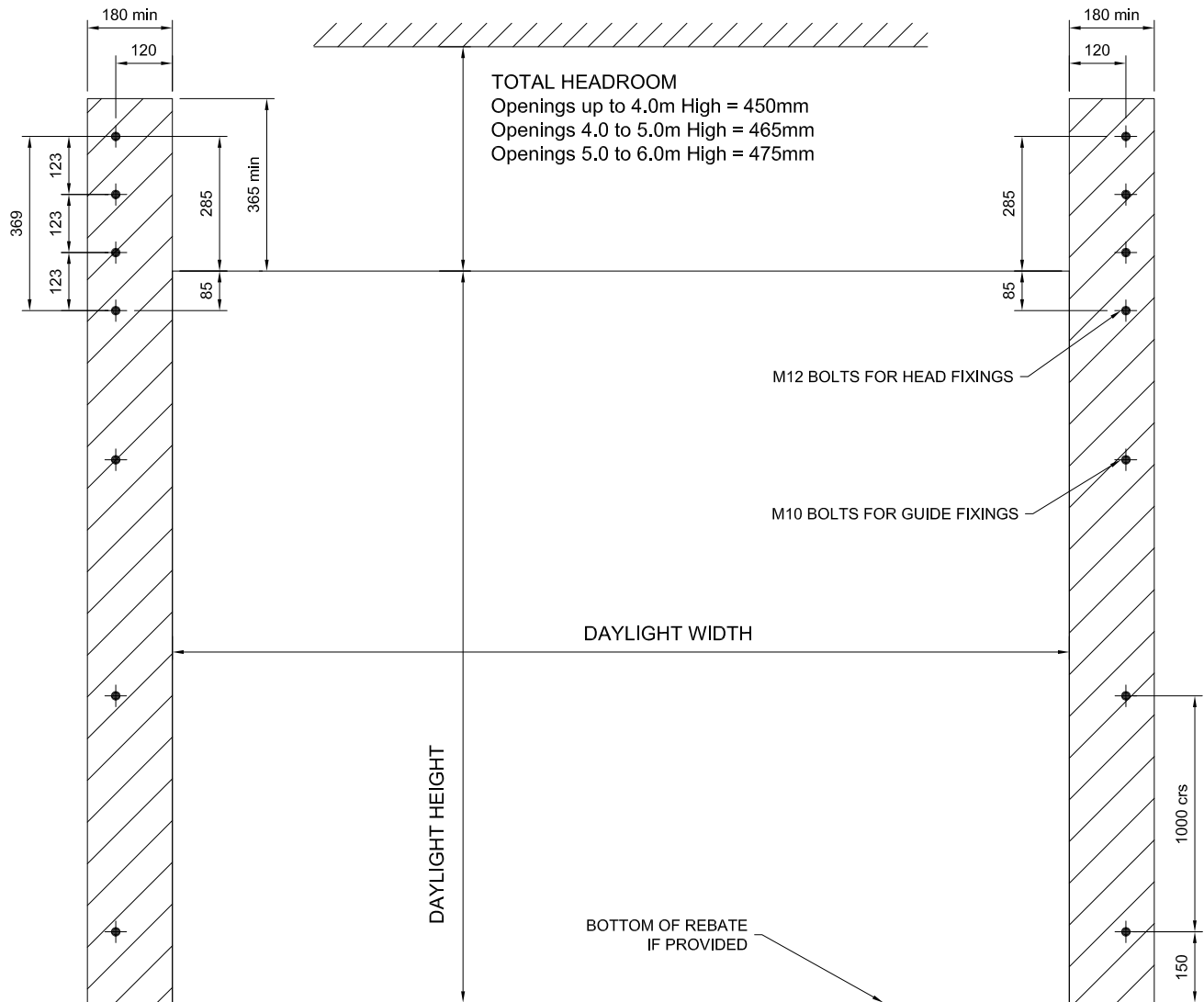
NOTES

- STANDARD LAYOUT SHOWN. REFER TO SALES FOR SPECIAL CLEARANCE OPTIONS
- REFER TO THE METALBILT DOORS STEEL ROLLER SHUTTER SELECTION CHART FOR MAXIMUM DOOR SIZES

TIMBER STRUCTURE DETAILS & FIXINGS LAYOUT

* FOR HEADROOM & SIDEROOM CLEARANCES REFER TO SHEET S3-W

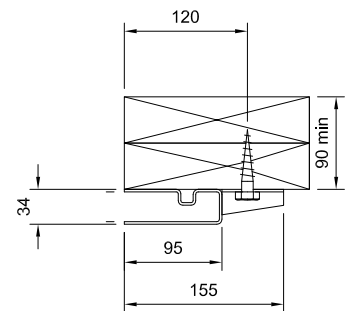
TYPICAL TIMBER FIXING



TYPICAL TIMBER STRUCTURE (BY OTHERS)

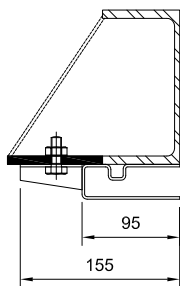
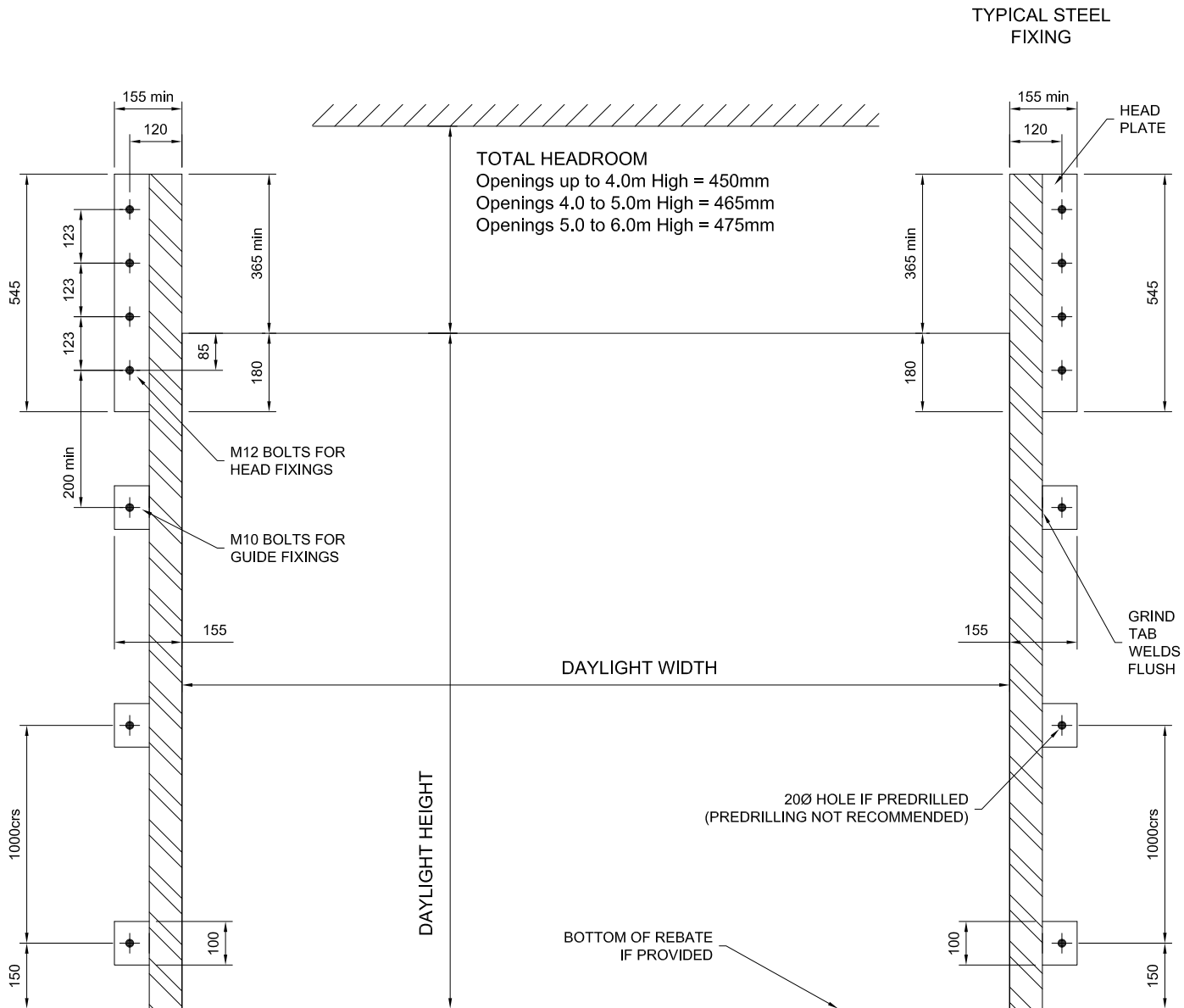
NOTES

- FIXINGS CENTRES ARE THE SAME FOR BOTH SIDES OF THE DOOR
- STANDARD LAYOUT SHOWN. REFER TO SALES FOR SPECIAL CLEARANCE OPTIONS
- STRUCTURES SHOWN ARE INDICATIVE ONLY. STRUCTURAL ENGINEERING TO BE CLIENTS CARE
- GUIDE FIXINGS REQUIRED UP TO LINTEL ONLY



STEEL STRUCTURE DETAILS & FIXINGS LAYOUT

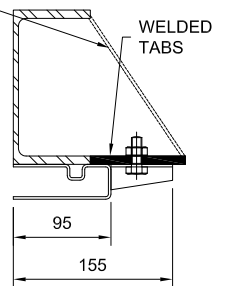
* FOR HEADROOM & SIDEROOM CLEARANCES REFER TO SHEET S3-W



NOTES

- FIXINGS CENTRES ARE THE SAME FOR BOTH SIDES OF THE DOOR
- STANDARD LAYOUT SHOWN. REFER TO SALES FOR SPECIAL CLEARANCE OPTIONS
- ALL TAB WELDS MUST BE GROUND FLUSH ON FACE OF STEEL STRUCTURE
- STRUCTURES SHOWN ARE INDICATIVE ONLY STRUCTURAL ENGINEERING TO BE CLIENTS CARE
- SEE METALBILT FOR ROLL FORMED JAMB FIXING RECOMMENDATIONS

BRACING RECOMMENDED. REFER TO STRUCTURAL ENGINEER



TYPICAL STEEL STRUCTURE (BY OTHERS)