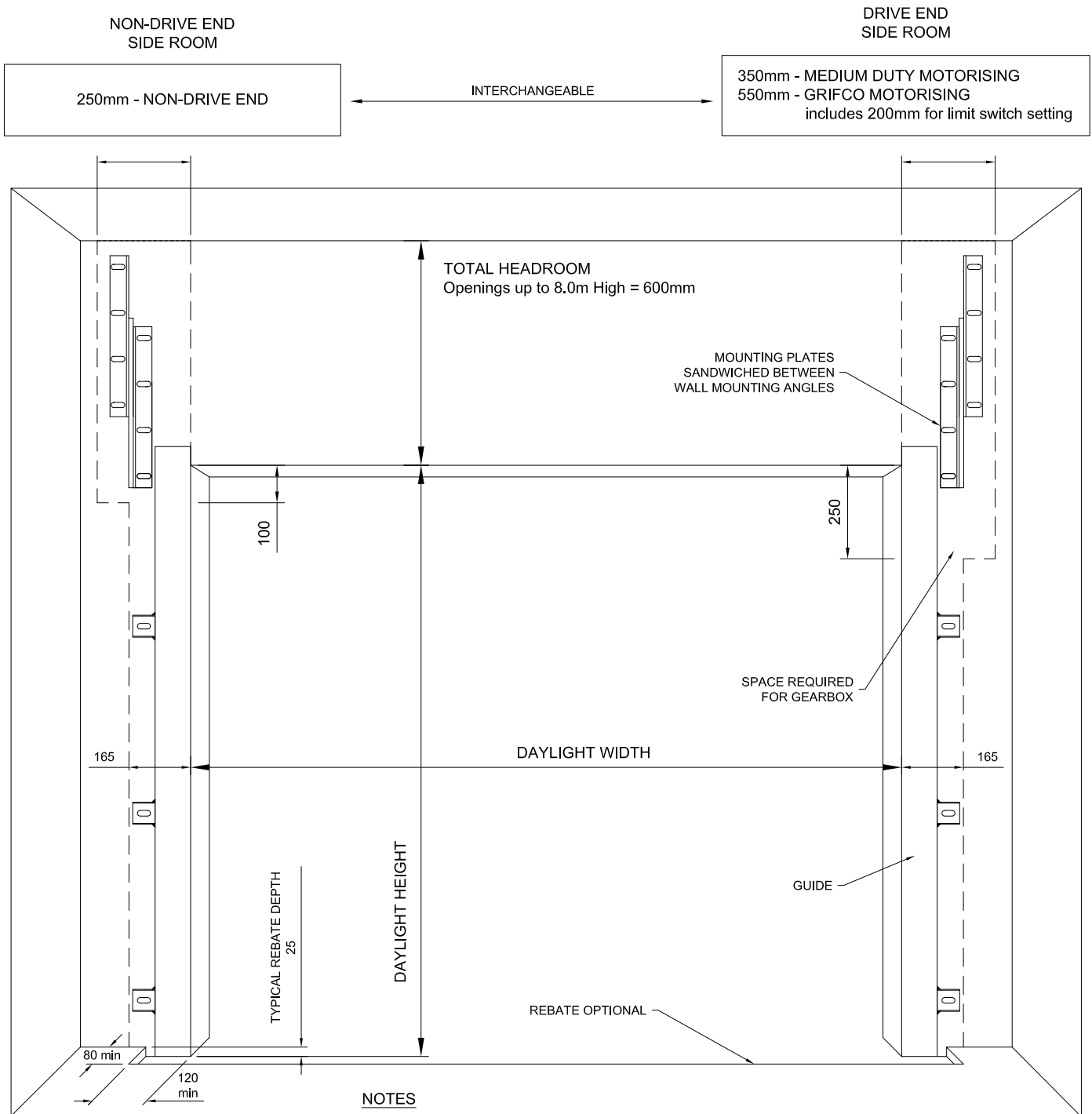


STEEL ROLLER SHUTTER - WINDLOCK GUIDES MEDIUM DUTY MOTORISING SPRING ASSISTED BARREL

WALL CLEARANCE REQUIREMENTS

* FOR WALL STRUCTURE DETAILS & FIXINGS LAYOUT REFER TO SHEET S10-Wt & S10-Ws



NOTES

- STANDARD LAYOUT SHOWN. REFER TO SALES FOR SPECIAL CLEARANCE OPTIONS
- REFER TO THE METALBIT DOORS STEEL ROLLER SHUTTER SELECTION CHART FOR MAXIMUM DOOR SIZES

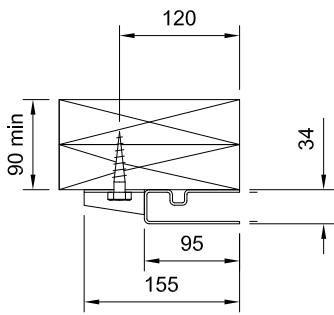
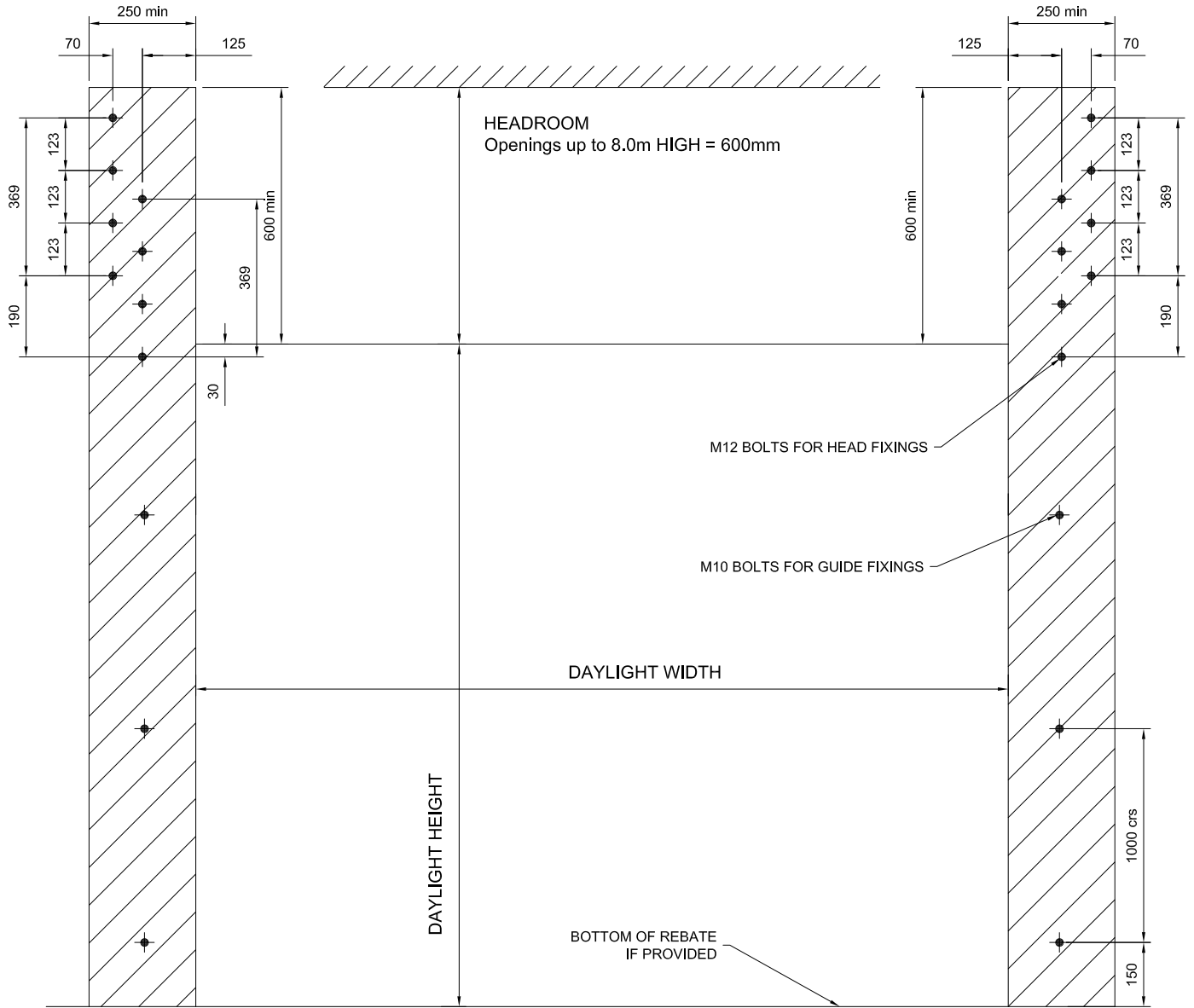
STEEL ROLLER SHUTTER - WINDLOCK GUIDES MEDIUM DUTY MOTORISING SPRING ASSISTED BARREL

S10-Wt

TIMBER DETAILS AND FIXINGS LAYOUT

TYPICAL TIMBER
FIXING

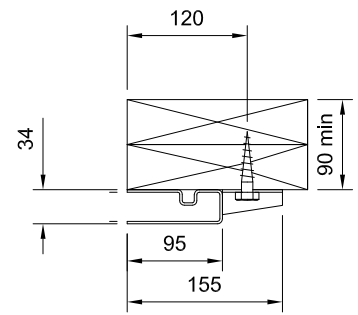
* FOR HEADROOM & SIDEROOM CLEARANCES REFER TO SHEET S9-W



TYPICAL TIMBER
STRUCTURE (BY OTHERS)

NOTES

- FIXINGS CENTRES ARE THE SAME FOR BOTH SIDES OF THE DOOR
- STANDARD LAYOUT SHOWN. REFER TO SALES FOR SPECIAL CLEARANCE OPTIONS
- STRUCTURES SHOWN ARE INDICATIVE ONLY STRUCTURAL ENGINEERING TO BE CLIENTS CARE
- GUIDE FIXING REQUIRED UP TO LINTEL ONLY



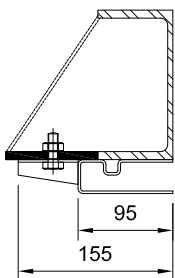
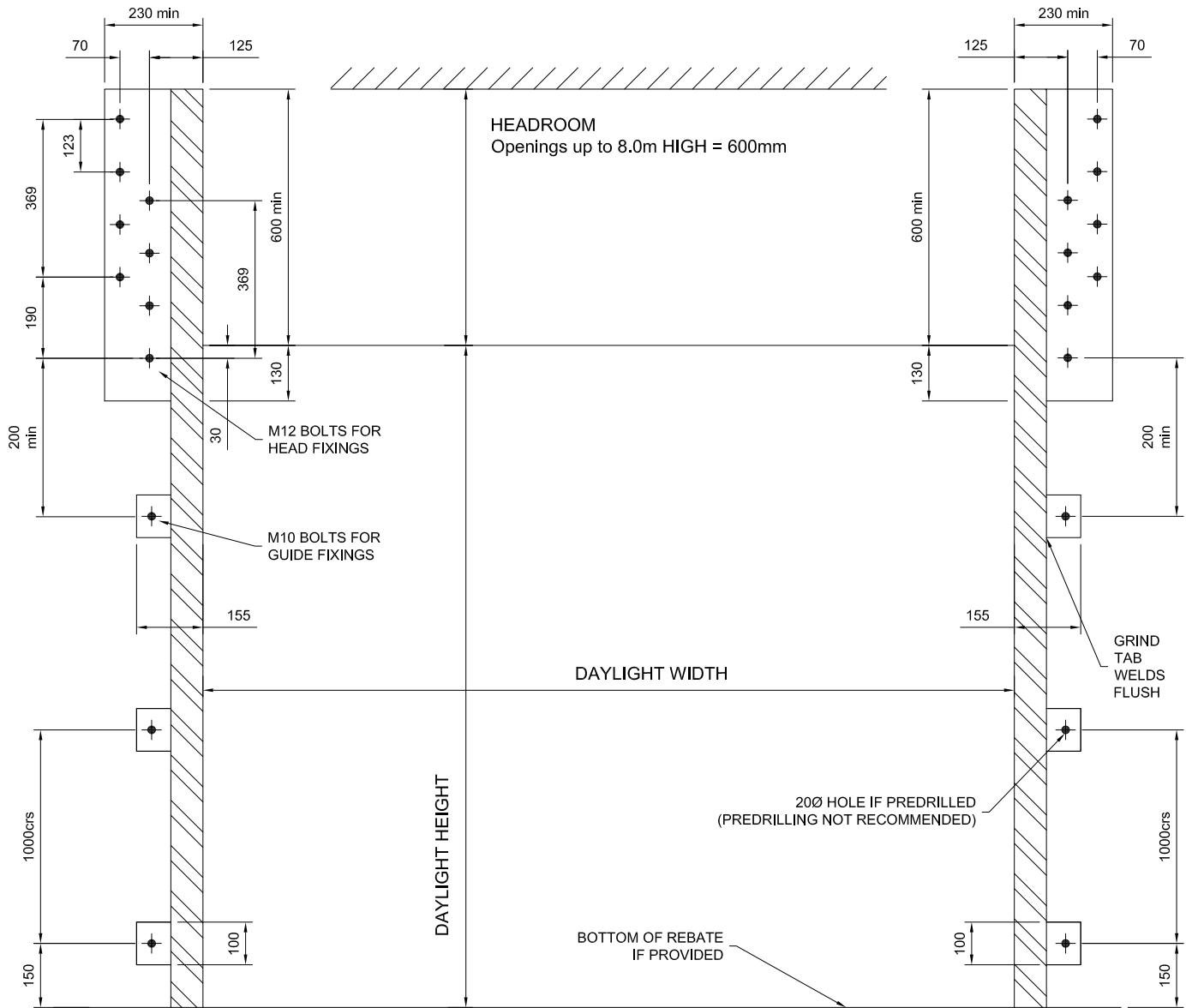
STEEL ROLLER SHUTTER - WINDLOCK GUIDES MEDIUM DUTY MOTORISING SPRING ASSISTED BARREL

S10-Ws

STEEL DETAILS AND FIXINGS LAYOUT

* FOR HEADROOM & SIDEROOM CLEARANCES REFER TO SHEET S9-W

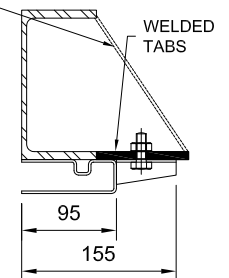
TYPICAL STEEL
FIXING



NOTES

- FIXINGS CENTRES ARE THE SAME FOR BOTH SIDES OF THE DOOR
- STANDARD LAYOUT SHOWN. REFER TO SALES FOR SPECIAL CLEARANCE OPTIONS
- ALL TAB WELDS MUST BE GROUND FLUSH ON FACE OF STEEL STRUCTURE
- STRUCTURES SHOWN ARE INDICATIVE ONLY STRUCTURAL ENGINEERING TO BE CLIENTS CARE
- SEE METALBILT FOR ROLL FORMED JAMB FIXING RECOMMENDATIONS
- GUIDE FIXING REQUIRED UP TO LINTEL ONLY

BRACING RECOMMENDED.
REFER TO STRUCTURAL ENGINEER



TYPICAL STEEL
STRUCTURE (BY OTHERS)