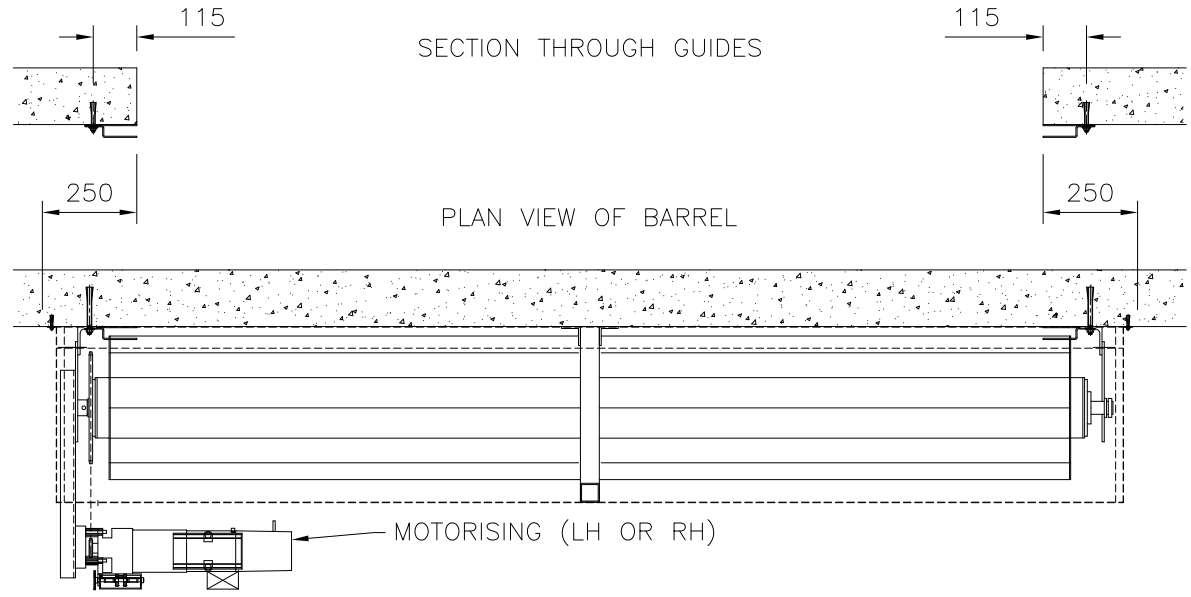


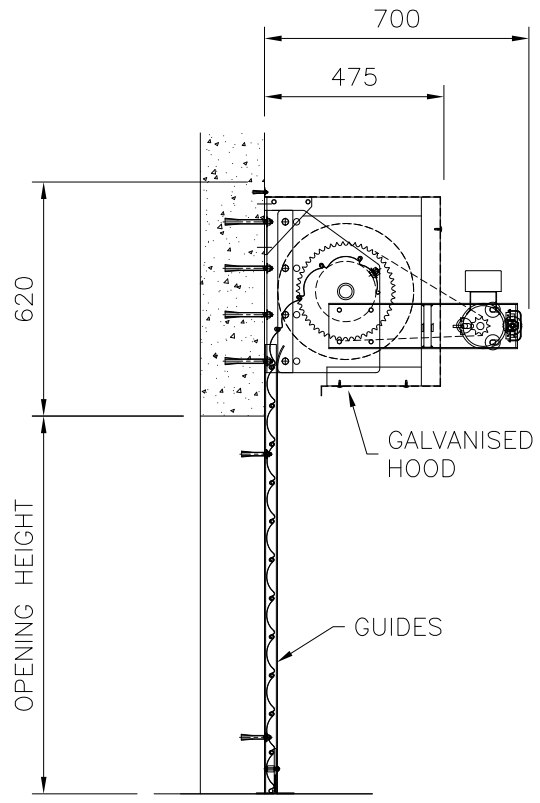
GUIDE DETAIL



SECTION THROUGH GUIDES

PLAN VIEW OF BARREL

MOTORISING (LH OR RH)

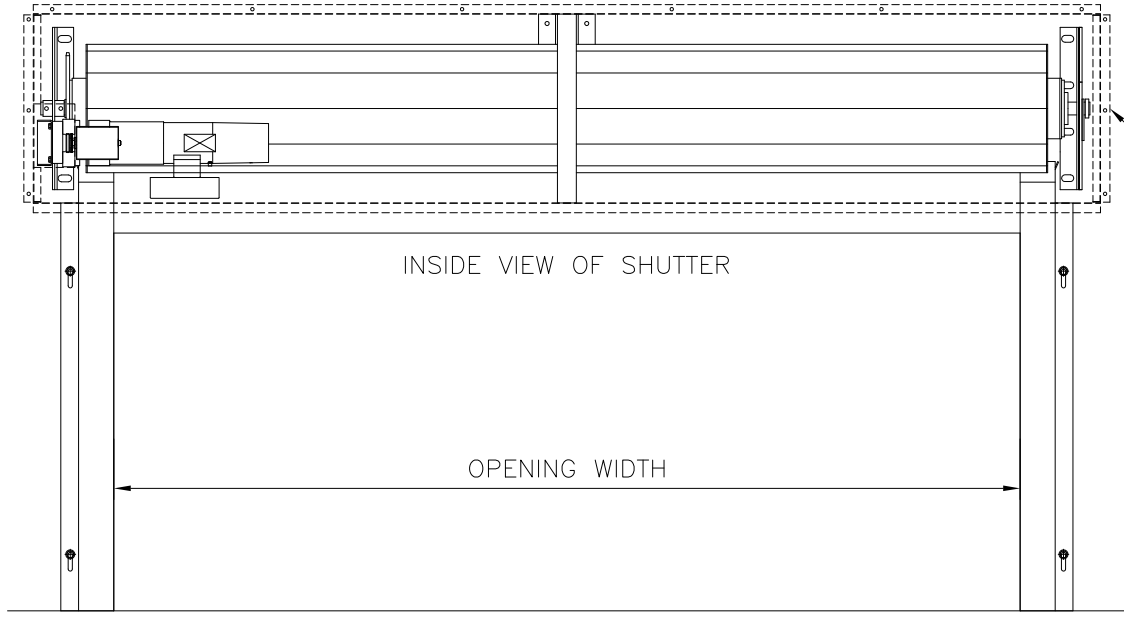


SECTION THROUGH SHUTTER

OPENING HEIGHT

GALVANISED HOOD

GUIDES



INSIDE VIEW OF SHUTTER

OPENING WIDTH

ADDITIONAL CLEARANCE IS REQUIRED TO ENABLE ATTACHMENT OF HOOD



FYRESHIELD FIRE SHUTTER UP TO -/240/-
LARGE HOOD - GA - MASONRY WALL



MATERIAL - FINISH			CODE No.	SCALE	DRG No.	ISS.
ISS.	DATE	BY		DRAWN APPVD.	TS 12.06.13	FYRESHIELD A