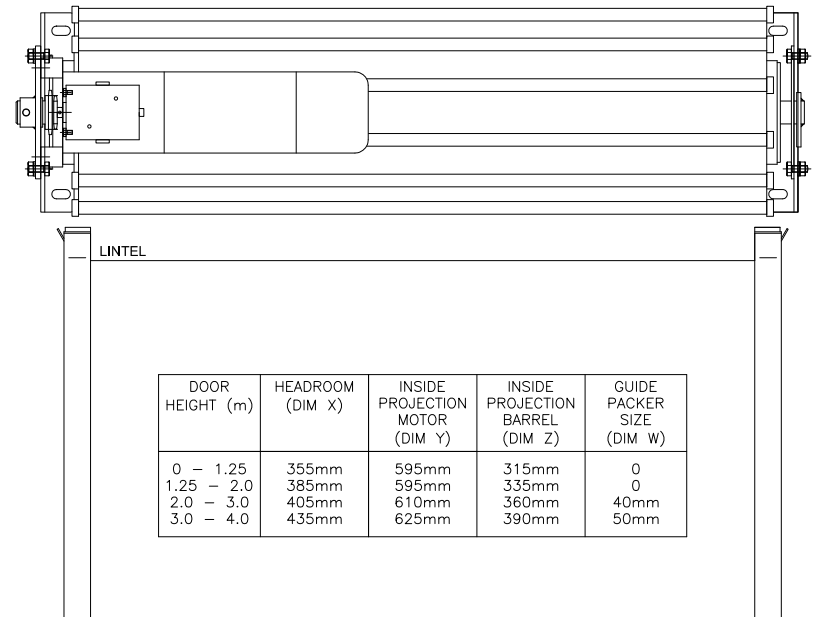
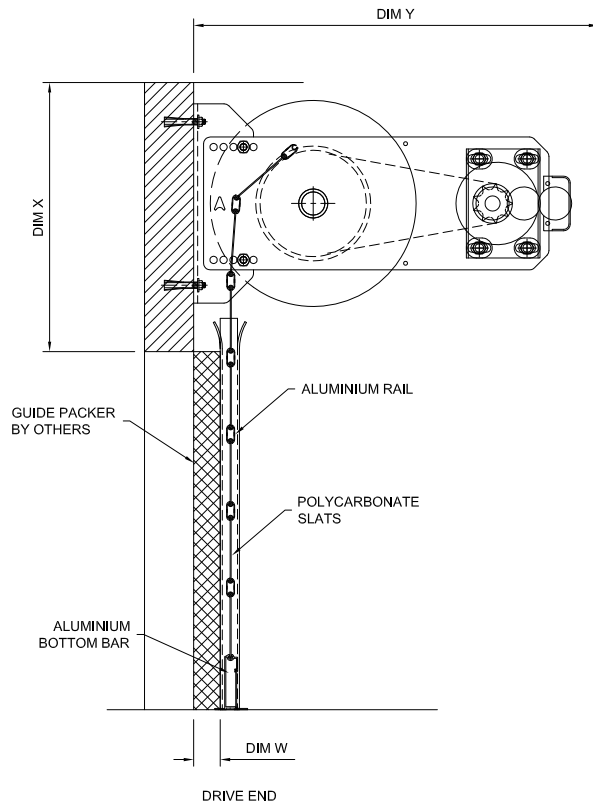


DO NOT SCALE



DOOR HEIGHT (m)	HEADROOM (DIM X)	INSIDE PROJECTION MOTOR (DIM Y)	INSIDE PROJECTION BARREL (DIM Z)	GUIDE PACKER SIZE (DIM W)
0 - 1.25	355mm	595mm	315mm	0
1.25 - 2.0	385mm	595mm	335mm	0
2.0 - 3.0	405mm	610mm	360mm	40mm
3.0 - 4.0	435mm	625mm	390mm	50mm

NON DRIVE END

CLEARSPAN SHUTTER  
LOW CYCLE MOTORISING - GENERAL ARRANGEMENT



We reserve the right to alter specification without notice and without incurring obligation

MATERIAL - FINISH	CODE No.	SCALE	ISS.
		TS	24.04.13
ISS. DATE BY	APPRVD.	DRG No.	ISS.
		CS_LCM	A