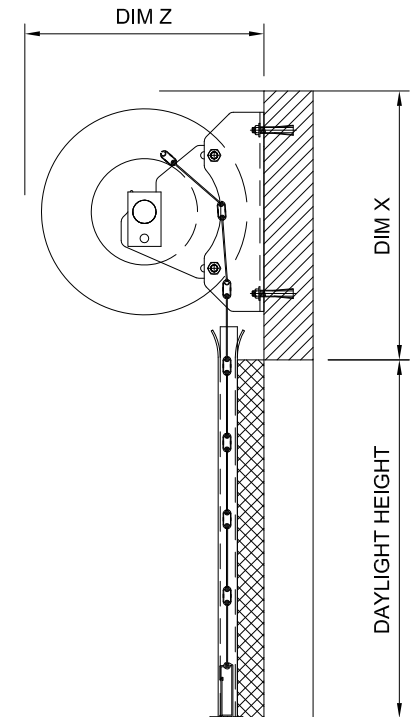


DOOR HEIGHT (m)	HEADROOM (DIM X)	INSIDE PROJECTION BARREL (DIM Z)	GUIDE PACKER SIZE (DIM W)
0 - 1.25	355mm	315mm	0
1.25 - 2.0	385mm	335mm	0
2.0 - 3.0	405mm	360mm	40mm
3.0 - 4.0	435mm	390mm	50mm



NON-DRIVE END

CLEARSPAN SHUTTER
INTERNAL BARREL MOTORISING - GENERAL ARRANGEMENT



MATERIAL - FINISH	CODE No.	SCALE	DRG No.	ISS.
		TS	02.05.14	
ISS. DATE BY	APPRD.		CS_IBM	A