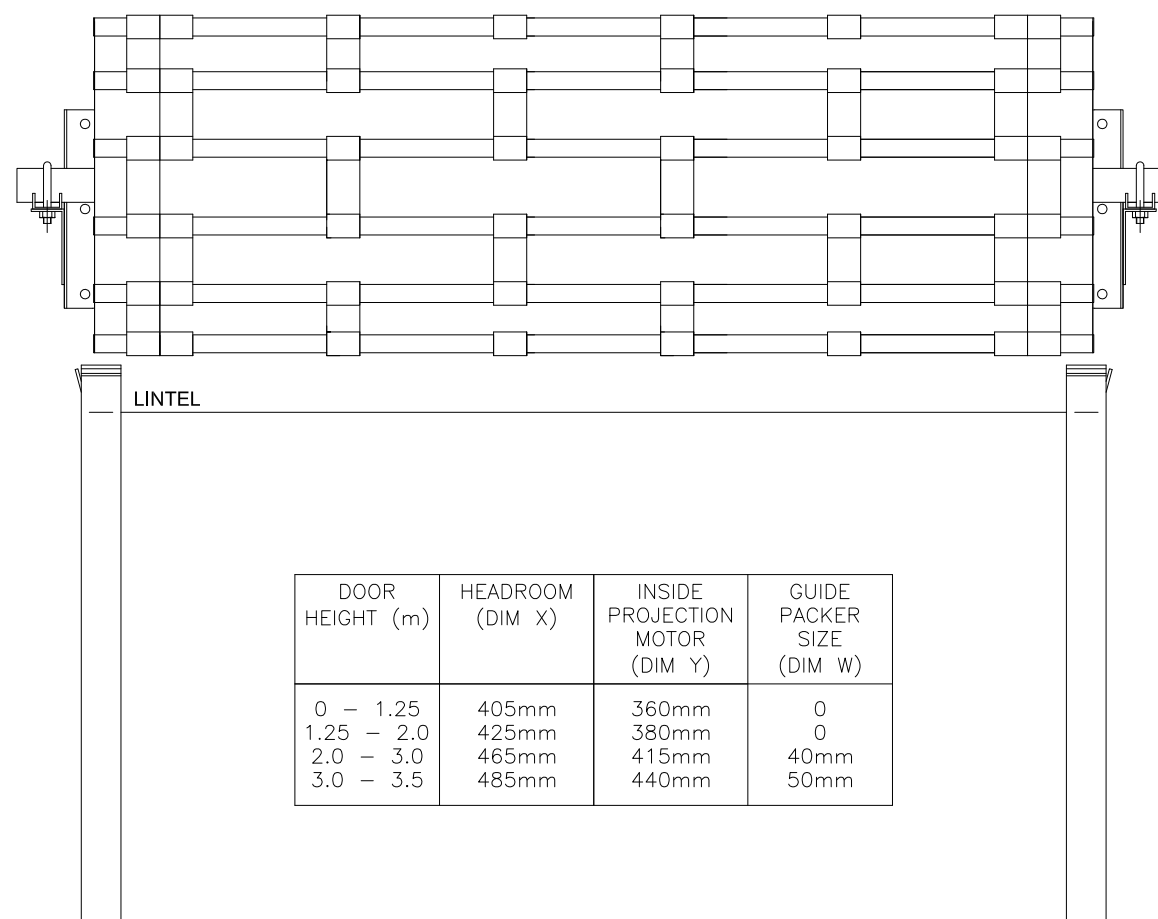
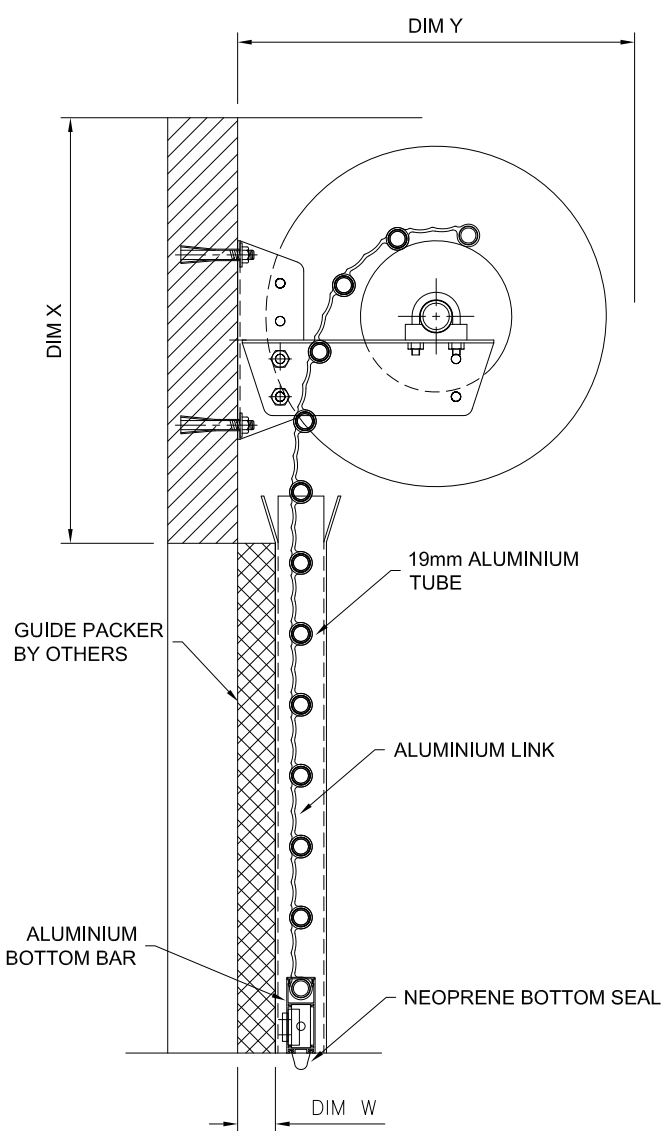
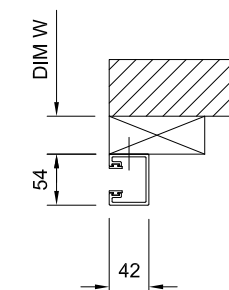
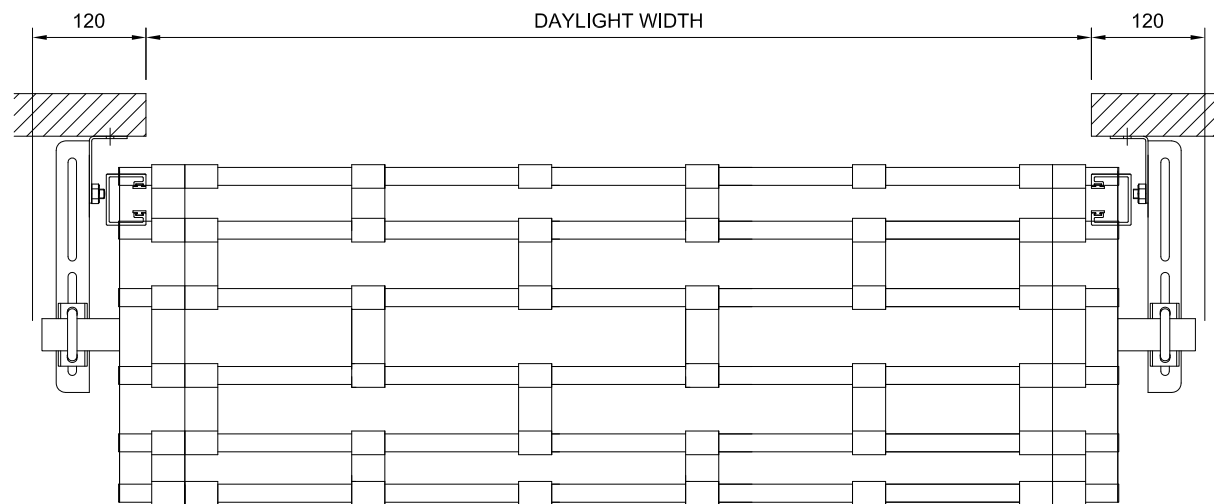
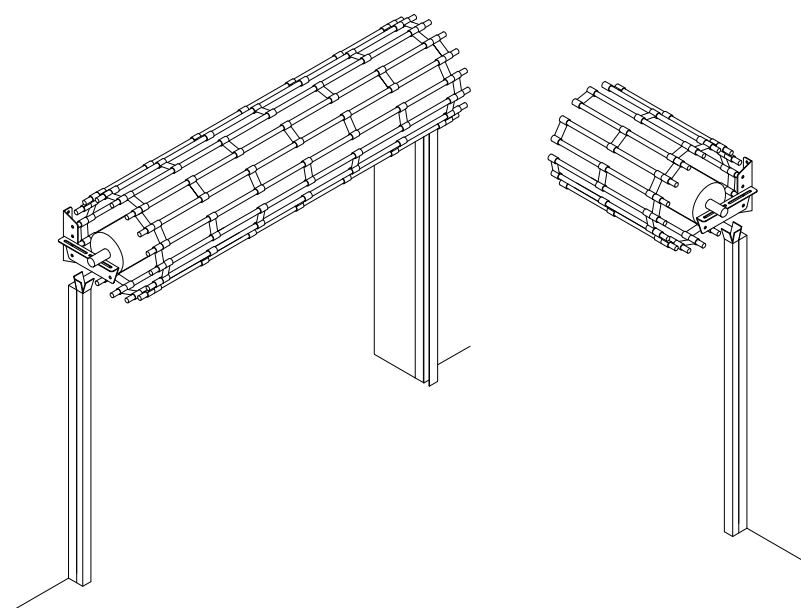
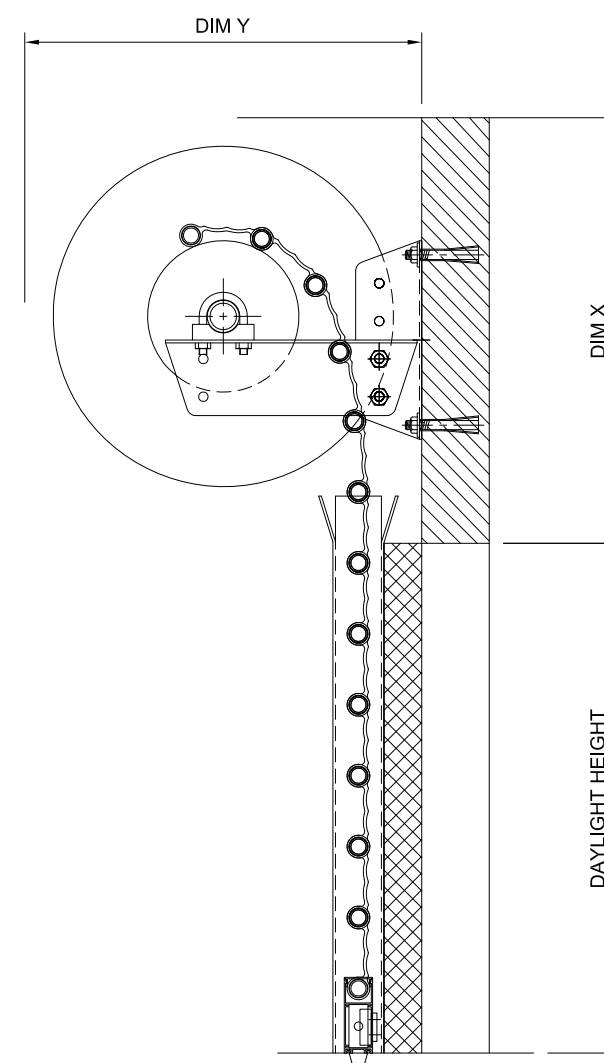


DO NOT SCALE



DOOR HEIGHT (m)	HEADROOM (DIM X)	INSIDE PROJECTION MOTOR (DIM Y)	GUIDE PACKER SIZE (DIM W)
0 - 1.25	405mm	360mm	0
1.25 - 2.0	425mm	380mm	0
2.0 - 3.0	465mm	415mm	40mm
3.0 - 3.5	485mm	440mm	50mm



We reserve the right to alter specification without notice and without incurring obligation

19mm TUBE ALUMINIUM GRILLE
SPRING BALANCED - GENERAL ARRANGEMENT



ISS.	DATE	BY	MATERIAL - FINISH	CODE No.	SCALE	:	DRG No.	ISS.
					TS	06.03.13	19mm_SB	A