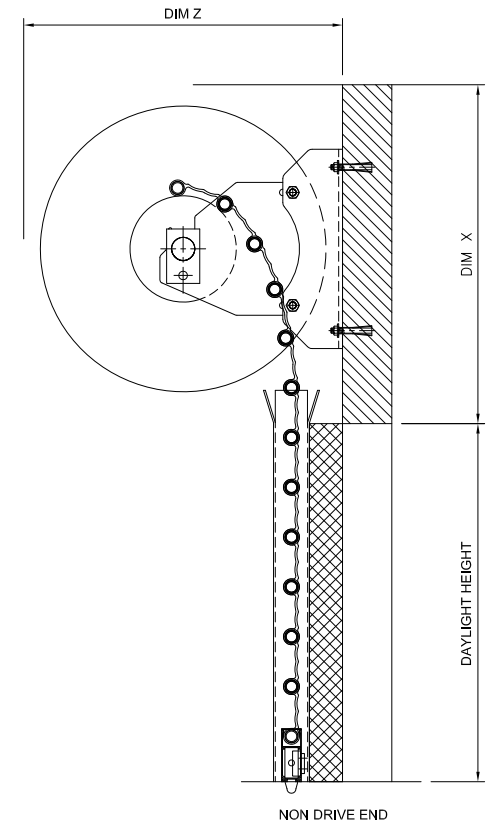
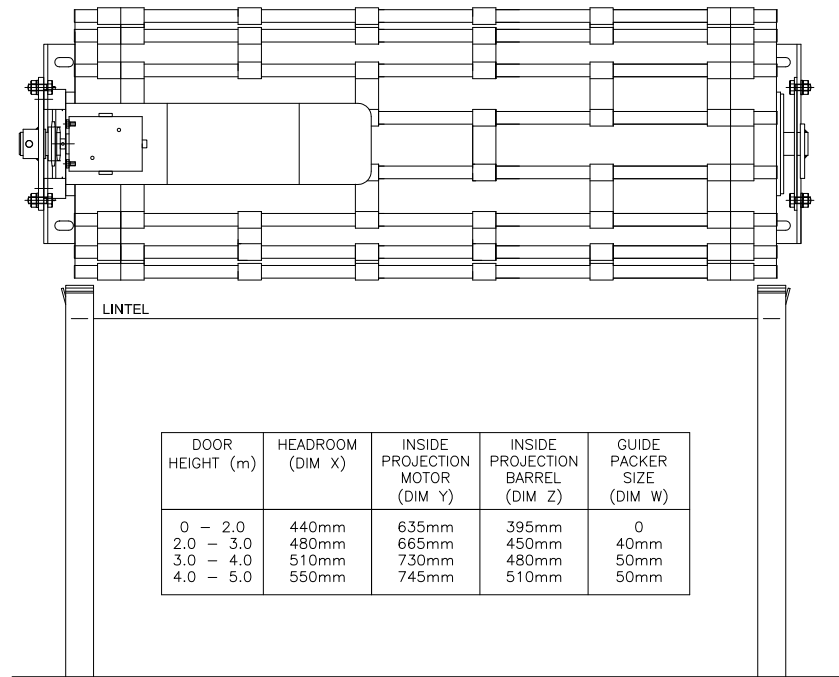
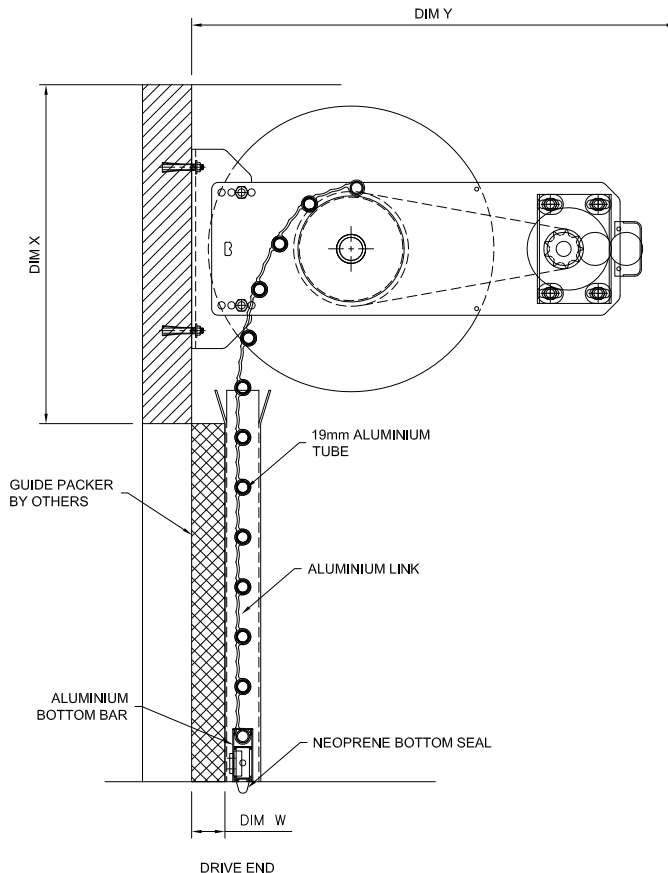
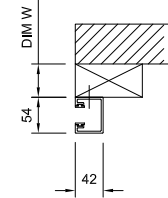
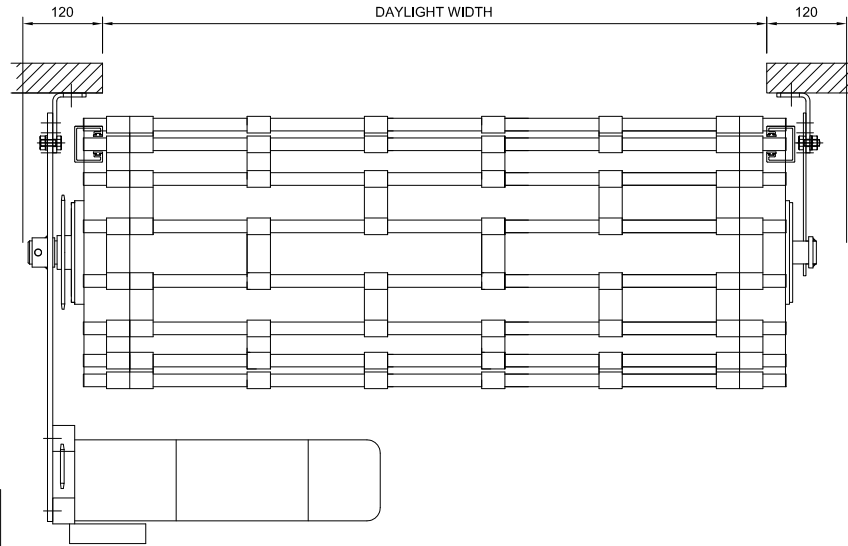
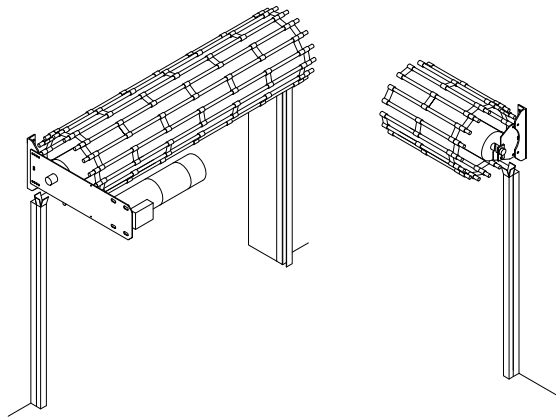


DO NOT SCALE



DOOR HEIGHT (m)	HEADROOM (DIM X)	INSIDE PROJECTION MOTOR (DIM Y)	INSIDE PROJECTION BARREL (DIM Z)	GUIDE PACKER SIZE (DIM W)
0 - 2.0	440mm	635mm	395mm	0
2.0 - 3.0	480mm	665mm	450mm	40mm
3.0 - 4.0	510mm	730mm	480mm	50mm
4.0 - 5.0	550mm	745mm	510mm	50mm

19mm TUBE ALUMINIUM GRILLE
LOW CYCLE MOTORISING - GENERAL ARRANGEMENT



We reserve the right to alter specification without notice and without incurring obligation

ISS.	DATE	BY
------	------	----

MATERIAL - FINISH	CODE No.	SCALE	TS	23.04.13	DRG No.	ISS.
		DRAWN	APPVD.		19mm_LCM	A