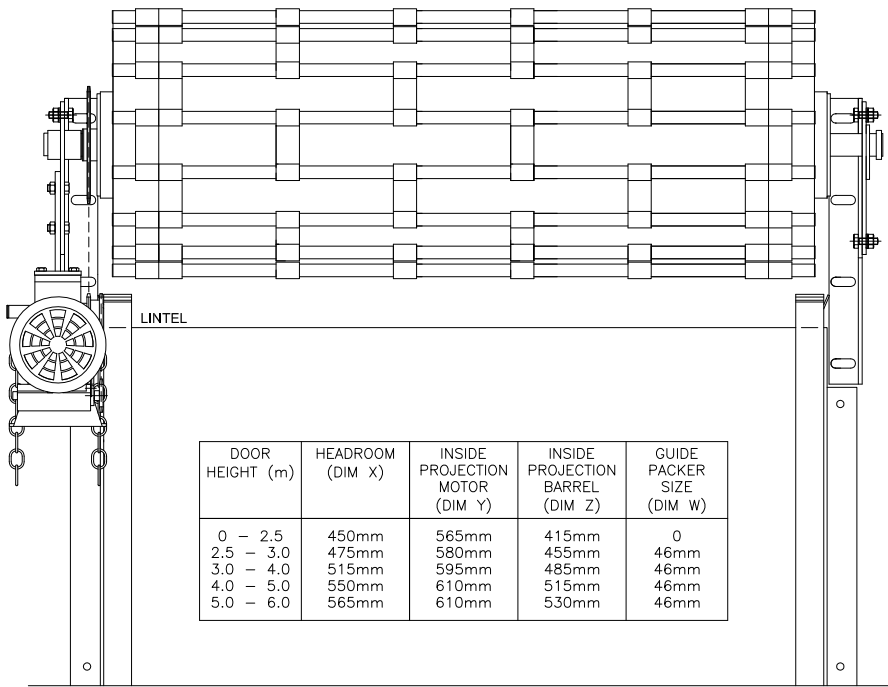
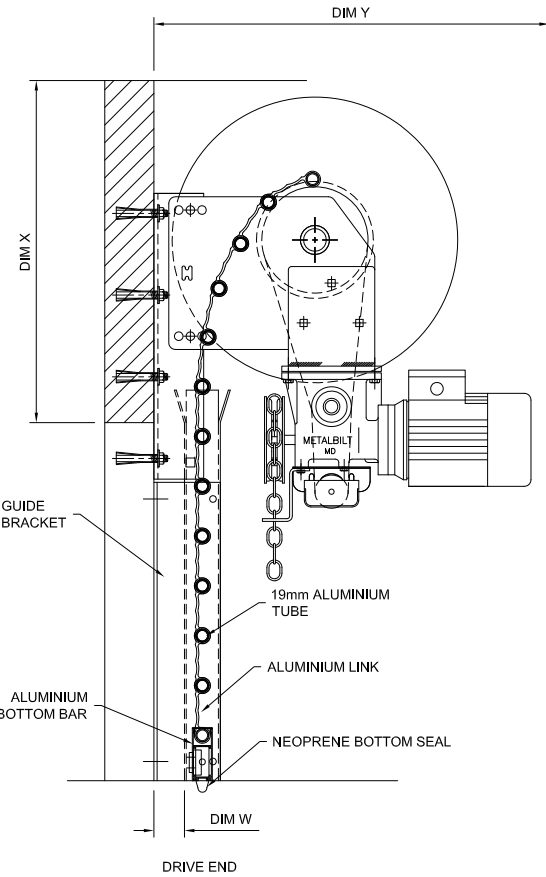
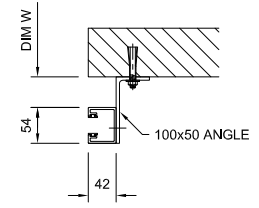
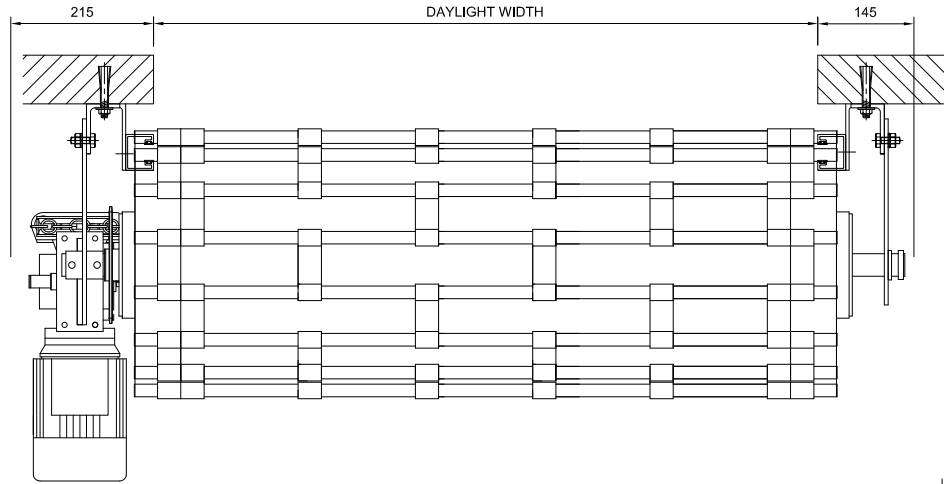
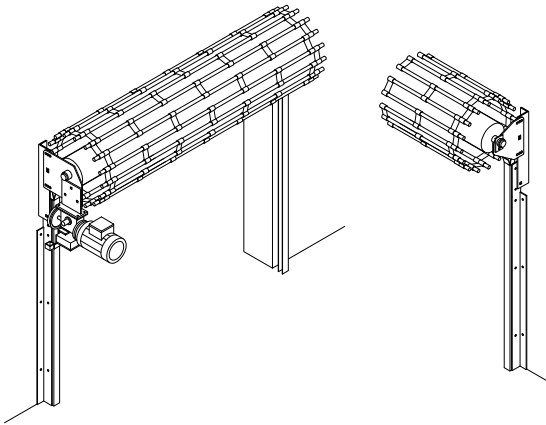
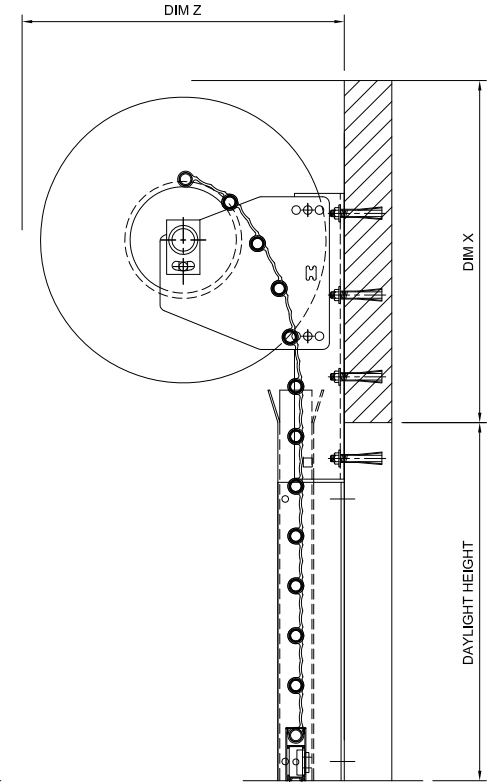


DO NOT SCALE



DOOR HEIGHT (m)	HEADROOM (DIM X)	INSIDE PROJECTION MOTOR (DIM Y)	INSIDE PROJECTION BARREL (DIM Z)	GUIDE PACKER SIZE (DIM W)
0 - 2.5	450mm	565mm	415mm	0
2.5 - 3.0	475mm	580mm	455mm	46mm
3.0 - 4.0	515mm	595mm	485mm	46mm
4.0 - 5.0	550mm	610mm	515mm	46mm
5.0 - 6.0	565mm	610mm	530mm	46mm



19mm TUBE ALUMINIUM GRILLE
GEARBOX MOTORISING - GENERAL ARRANGEMENT



MATERIAL - FINISH		CODE No.	SCALE	DRG No.	ISS.
B	08.07.13	TS	DRAWN	TS	27.05.13
ISS.	DATE	BY	APPVD.		

19mm_GB B

We reserve the right to alter specification without notice and without incurring obligation