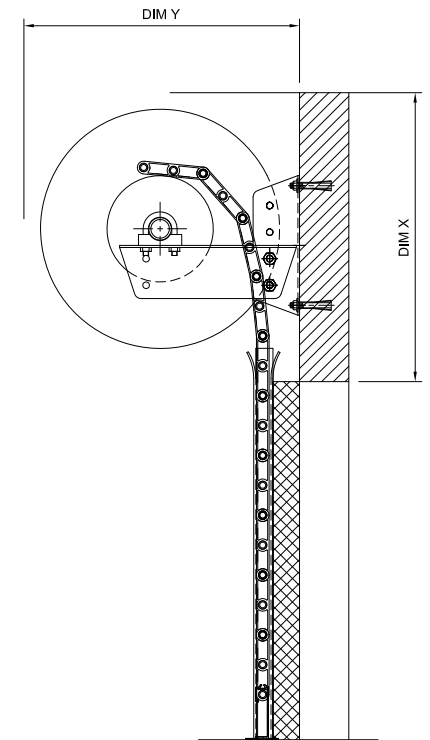


DOOR HEIGHT (m)	HEADROOM (DIM X)	INSIDE PROJECTION MOTOR (DIM Y)	GUIDE PACKER SIZE (DIM W)
0 - 1.25	370mm	330mm	0
1.25 - 2.0	400mm	380mm	0
2.0 - 3.0	435mm	415mm	40mm
3.0 - 3.5	480mm	450mm	50mm



12mm TUBE ALUMINIUM GRILLE
SPRING BALANCED - GENERAL ASSEMBLY



We reserve the right to alter specification without notice and without incurring obligation

MATERIAL - FINISH	CODE No.	SCALE	DRG No.	ISS.
		TS	07.03.13	
ISS. DATE BY		APPVD.	12mm_SB	A