



Metalbilt® Series 3 Aluminium Roller Shutters

Applications

Large openings, shop fronts, pedestrian openings, arcades or where a high level of strength, visibility and finish is required.

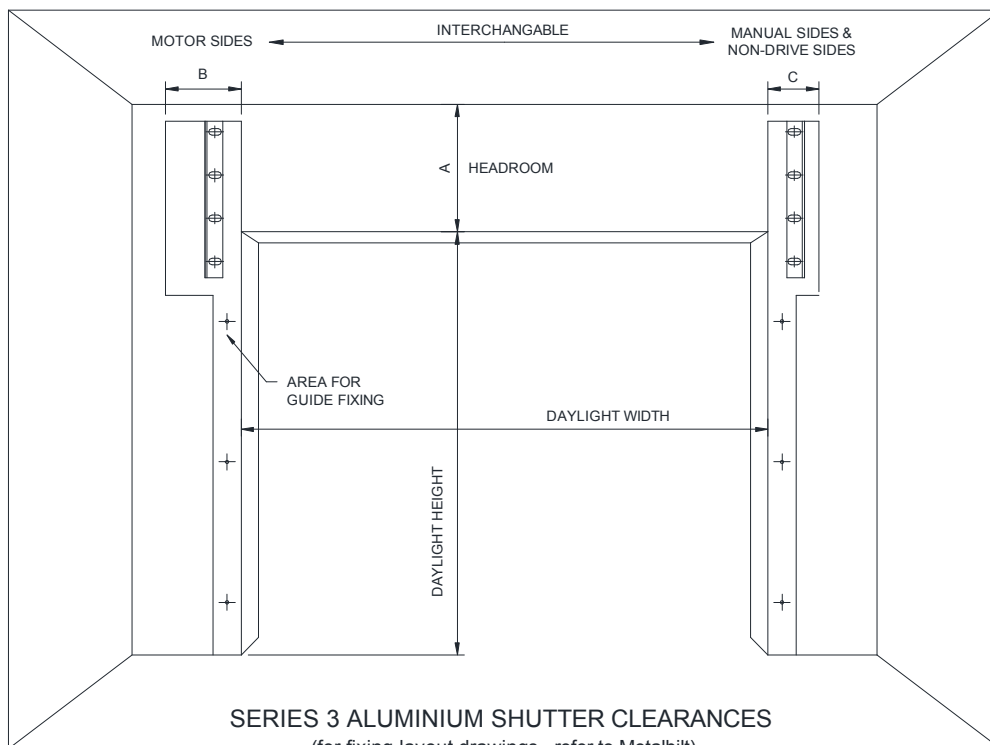
(For smaller openings and countertops refer to Metalbilt® Standard Aluminium Shutter)

Features

- Curtains are constructed from individual extruded aluminium slats. Where vision is required punched slats with U.V. resistant acrylic panels are also available.
- Operation by spring balance or motorised.
- Fixed or removable mullions options are available.
- Slot size 42.5mm x 225mm.
- An extensive range of powder coating colours can be offered.
- Shutters are custom made to fit the size of opening and structure of building.
- Branches in Auckland, Wellington and Christchurch.

*Over 55 years of manufacturing experience and continuous refinement.
Service and repairs, 24 hours a day, on all makes of commercial doors.*

Metalbit® Series 3 Aluminium Roller Shutters - Specifications

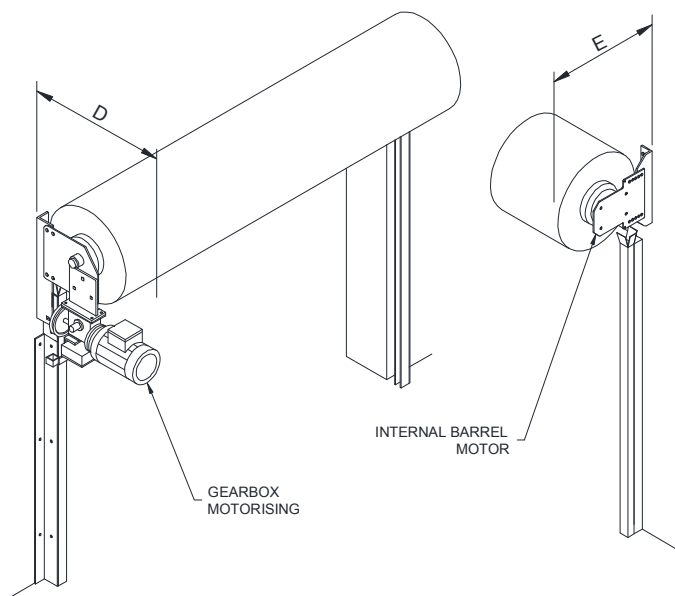


SERIES 3 ALUMINIUM SHUTTER CLEARANCES

(for fixing layout drawings - refer to Metalbit)

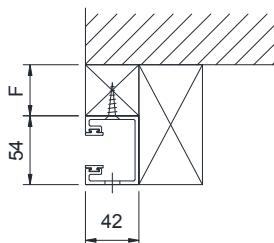
HEIGHT OF OPENING	HEADROOM	SIDEROOM Motor side	SIDEROOM Non-Drive & Manual	INSIDE PROJECTION MOTORISED	INSIDE PROJECTION MANUAL	GUIDE PACKER SIZE
	A	B	C	D	E	F
Up to 2.0m	450	215	145	550	375	0
Up to 3.0m	500	215	145	580	425	40
Up to 4.0m	525	215	145	600	460	50
Up to 5.0m	550	215	145	600	490	50

Additional projection may be required with non standard motorising
For max sizes refer to the Security Grille and Shutter Selection Chart
(Available on the Metalbit website)

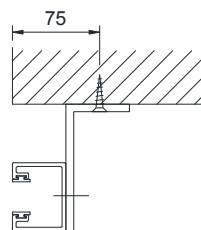


GUIDE DETAILS

Packer by others (to lintel only)



BACK OR SIDE FIX



100x50 ANGLE OPTION

CURTAIN

Solid extruded aluminium interlocking heavy duty sections with a vertical pitch of 90mm.

Slats may be punched for ventilation, or to accept a continuous clear acrylic vision panel.

Each alternate slat is fitted with a nylon end lock to control lateral movement.

Fitted to the lower edge of the curtain is an extruded aluminium bottom bar.

CAPTIVE GUIDES

Constructed from extruded aluminium with retaining nib and fitted with a continuous polypropylene insert to prevent metal to metal contact.

FINISH

Clear anodised screen and guides or powdercoated.

BARREL

Manufactured from 165mm steel tube attached to self lubricating bearings rotating on a 35mm steel shaft. The shaft shall be fitted with helical springs designed to counterbalance the curtain weight throughout its operation. The drum shall be designed to give minimum deflection over the span.

SECURITY

Doors are generally motorised, but can be fitted with standard two point locking.

MANUAL OPERATION

Manual operation is by hand chain. Manually operated doors can be motorised at a later date if required.

ELECTRICAL OPERATION

Standard Three or Single phase 0.37kW GB motorising with enclosed worm gearbox. Complete with reversing starter or Door Controller. Standard speed of operation is approximately 200mm per second. High cycle or very large doors require higher rated motors.

Alternative motorising options also available, subject to size limitations, are:

- Single phase LCMs incorporating an automatically engaging handchain.
 - Single phase Internal barrel motors supplied with a manual crank attachment.
- Battery backup systems are available.

Key switches and door controllers to accept signals from a range of activation features are also available with some motor selections. Special motorising options and barrel mounting methods are available on request.

MAINTENANCE

Ensure access is available for security and maintenance.

We reserve the right to alter specification without notice and without incurring obligation.

Contact us for details of your nearest Metalbit® representative.

Auckland Postal Address
PO Box 71169 Rosebank
Auckland 1348 New Zealand

Street Address
26 Timothy Place Avondale
Auckland 1026 New Zealand

Phone 09 828 1167
Fax 09 828 6358
Email mbilt.auck@rcrtom.com.au

Christchurch Postal Address
PO Box 6033 Upper Riccarton
Christchurch 8442 New Zealand

Street Address
25 Baigent Way Middleton
Christchurch 8024 New Zealand

Phone 03 338 2600
Fax 03 338 4386
Email mbilt.chch@rcrtom.com.au

Wellington Postal Address
PO Box 38933 Wellington Mail Centre
Lower Hutt 5045 New Zealand

Street Address
33 Marsden Street Melling
Lower Hutt 5010 New Zealand

Phone 04 568 2933
Fax 04 568 7337
Email mbilt.well@rcrtom.com.au



www.metalbit.co.nz