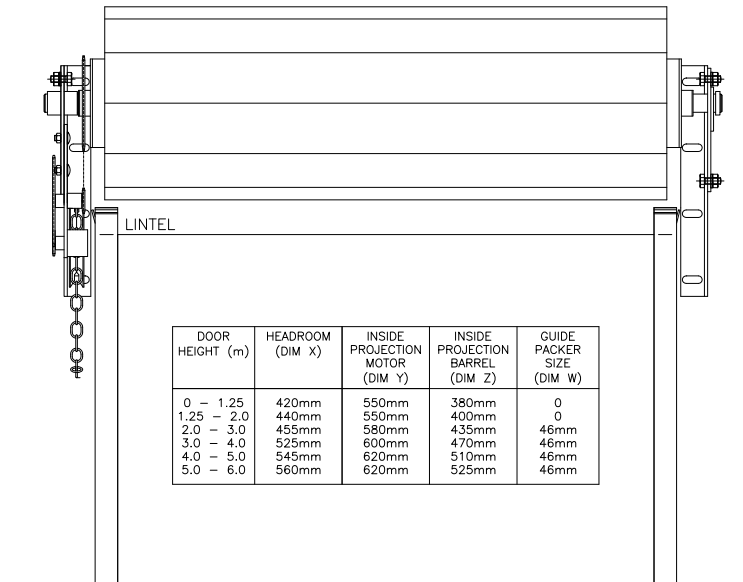
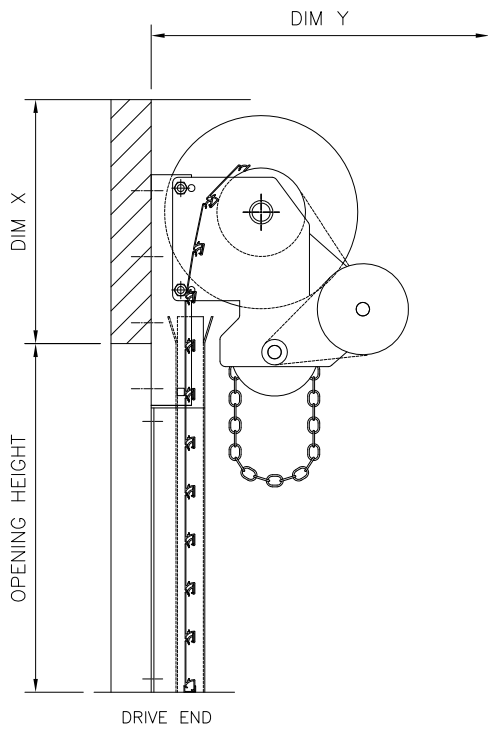
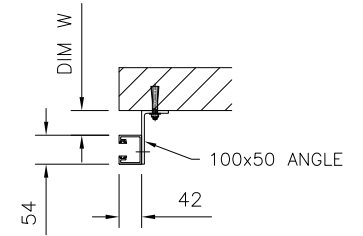
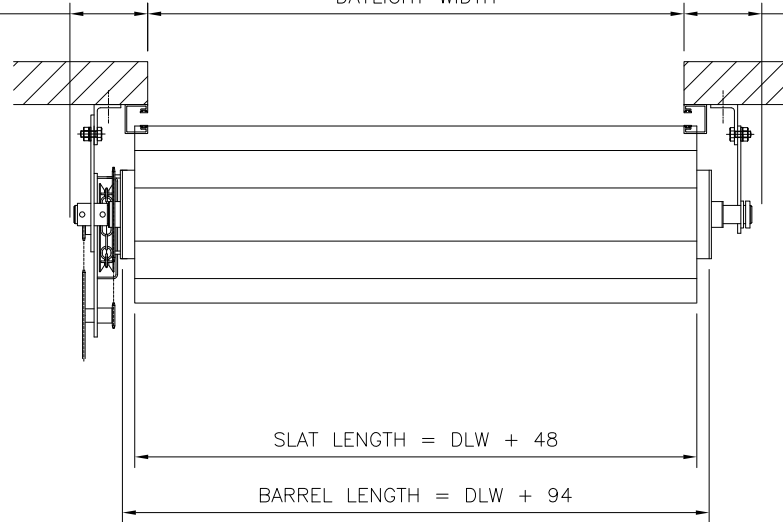
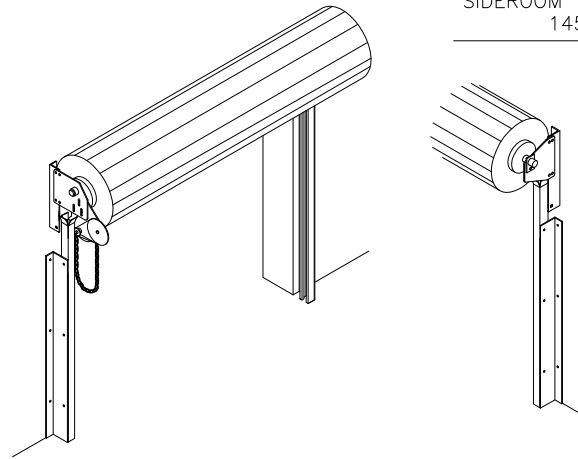


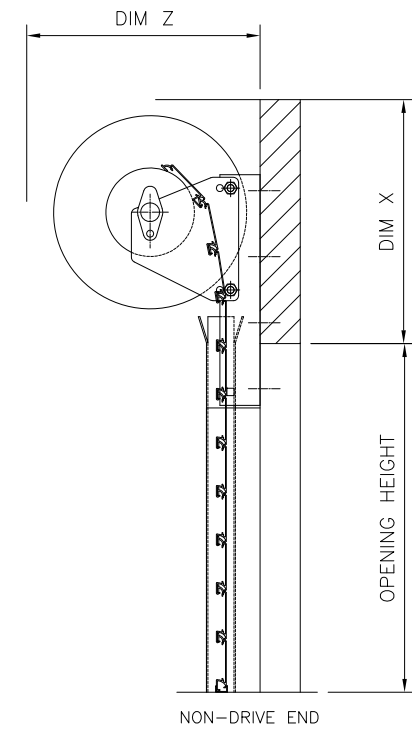
DRIVE END
SIDEROOM REQUIRED
145

NON-DRIVE END
SIDEROOM REQUIRED
145

DAYLIGHT WIDTH



DOOR HEIGHT (m)	HEADROOM (DIM X)	INSIDE PROJECTION MOTOR (DIM Y)	INSIDE PROJECTION BARREL (DIM Z)	GUIDE PACKER SIZE (DIM W)
0 - 1.25	420mm	550mm	380mm	0
1.25 - 2.0	440mm	550mm	400mm	0
2.0 - 3.0	455mm	580mm	435mm	46mm
3.0 - 4.0	525mm	600mm	470mm	46mm
4.0 - 5.0	545mm	620mm	510mm	46mm
5.0 - 6.0	560mm	620mm	525mm	46mm



SERIES 3 ALUMINIUM SHUTTER
MANUAL HANDCHAIN - GENERAL ARRANGEMENT



MATERIAL - FINISH				CODE No.	SCALE	DRG. No.	ISS.
ISS. CHANGE				No.	DATE	BY	
				APPVD.	O.B	06.09.16	
S3_AS_MH							A