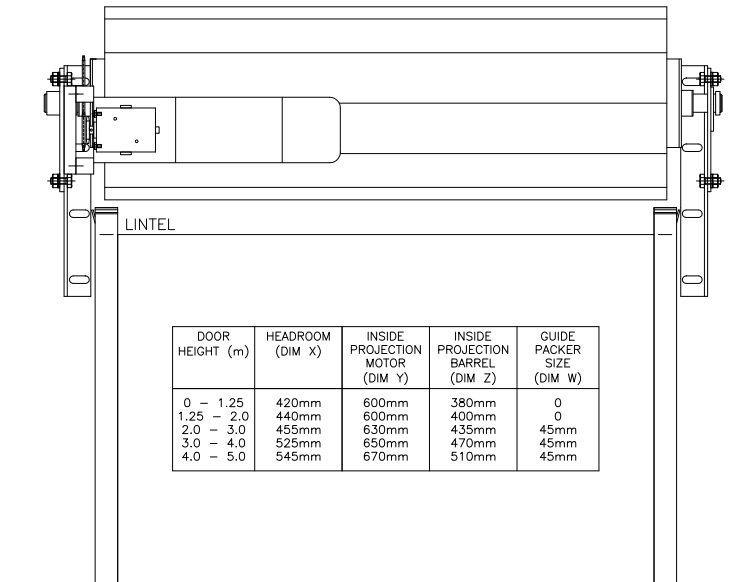
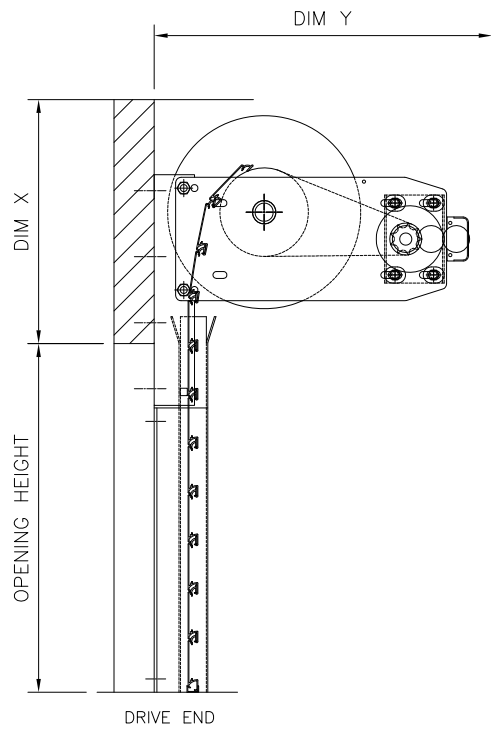
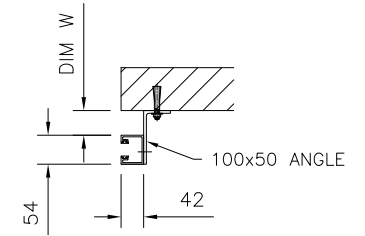
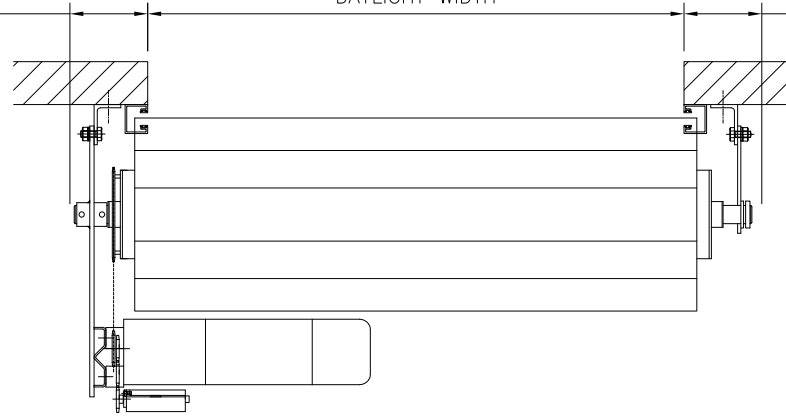
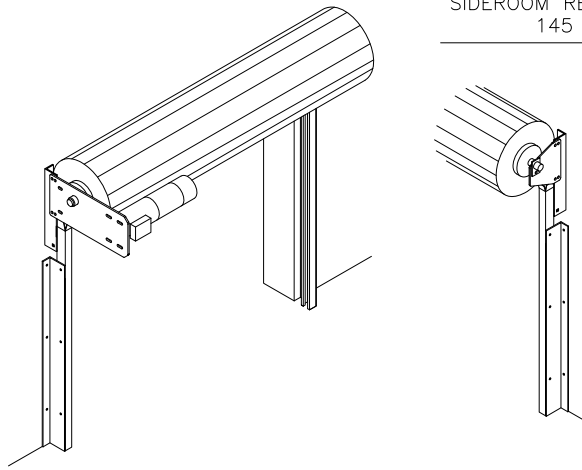


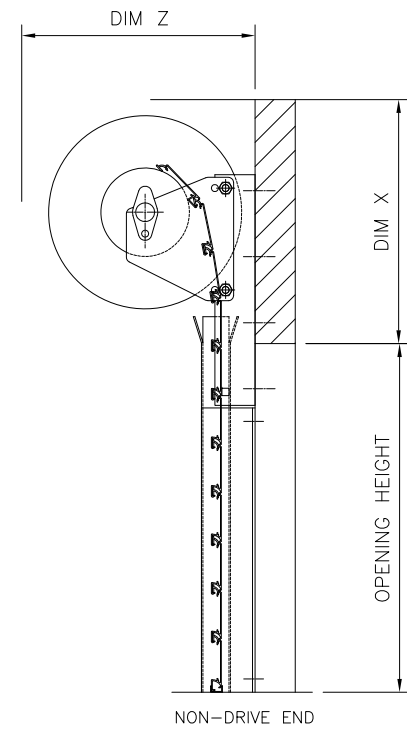
DRIVE END
SIDEROOM REQUIRED
145

NON-DRIVE END
SIDEROOM REQUIRED
145

DAYLIGHT WIDTH



DOOR HEIGHT (m)	HEADROOM (DIM X)	INSIDE PROJECTION MOTOR (DIM Y)	INSIDE PROJECTION BARREL (DIM Z)	GUIDE PACKER SIZE (DIM W)
0 - 1.25	420mm	600mm	380mm	0
1.25 - 2.0	440mm	600mm	400mm	0
2.0 - 3.0	455mm	630mm	435mm	45mm
3.0 - 4.0	525mm	650mm	470mm	45mm
4.0 - 5.0	545mm	670mm	510mm	45mm



SERIES 3 ALUMINIUM SHUTTER
LOW CYCLE MOTORISING - GENERAL ARRANGEMENT



B	ROLL UP DIMENSION CORRECTED	07.11.16	O.B
ISS. CHANGE	No.	DATE	BY

MATERIAL - FINISH	CODE No.	SCALE	DRG. No.	ISS.
		DRAWN TS	04.03.14	
		APPVD.		

S3_AS_LCM	B
-----------	---