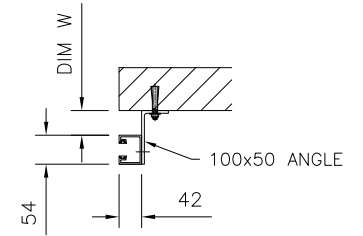


DRIVE END
SIDEROOM REQUIRED
215

DAYLIGHT WIDTH

NON-DRIVE END
SIDEROOM REQUIRED
145

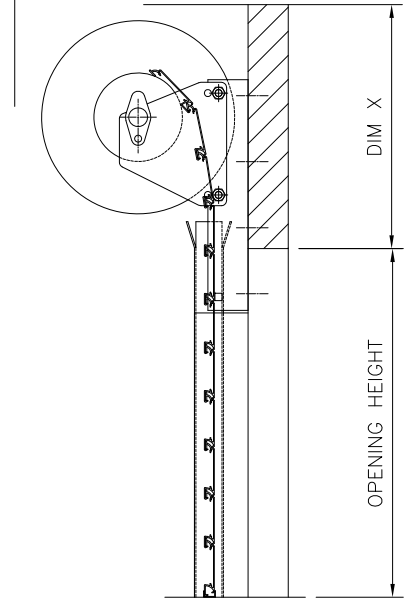
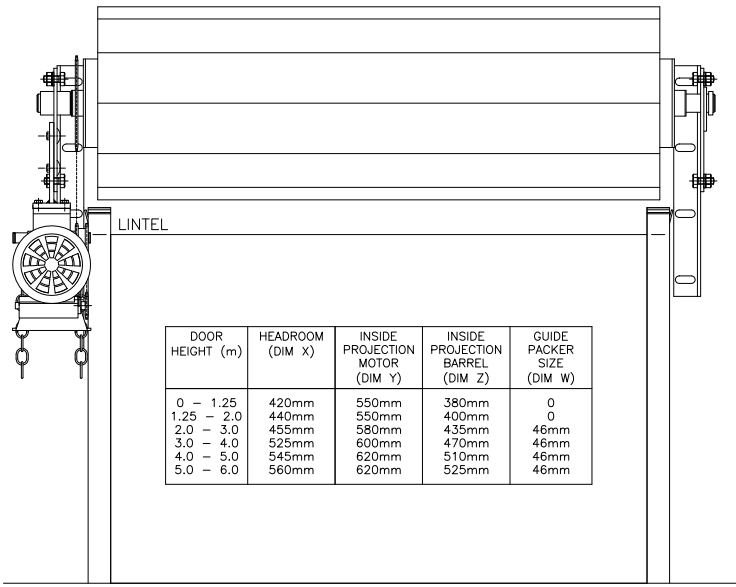
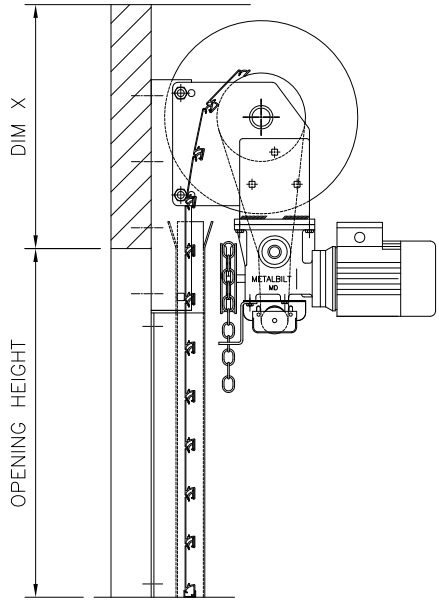


SLAT LENGTH = DLW + 48

BARREL LENGTH = DLW + 94

DIM Y

DIM Z



DOOR HEIGHT (m)	HEADROOM (DIM X)	INSIDE PROJECTION MOTOR (DIM Y)	INSIDE PROJECTION BARREL (DIM Z)	GUIDE PACKER SIZE (DIM W)
0 - 1.25	420mm	550mm	380mm	0
1.25 - 2.0	440mm	550mm	400mm	0
2.0 - 3.0	455mm	580mm	435mm	46mm
3.0 - 4.0	525mm	600mm	470mm	46mm
4.0 - 5.0	545mm	620mm	510mm	46mm
5.0 - 6.0	560mm	620mm	525mm	46mm

DRIVE END

NON-DRIVE END

SERIES 3 ALUMINIUM SHUTTER
GEARBOX MOTORISING - GENERAL ARRANGEMENT



				MATERIAL - FINISH	CODE No.	SCALE	DRG. No.	ISS.
							06.03.14	
ISS. CHANGE	No.	DATE	BY		APPVD.		S3_AS_GB	A