



## Metalbilt<sup>®</sup> Heavy Duty Steel Framed Panel Doors

### Applications

Ideal for public facilities, changing rooms, remote locations, vandalism prone sites, warehouses, offices, commercial entrances, record rooms and hotels.

### Features

Metalbilt pressed steel doors have been carefully designed to suit local conditions and the demands of public usage, they are custom engineered and fabricated in a range of sizes, with vision panels and louvre options.

**Metalbilt Flush Panel (Hollow Core) Doors** provide ease of mind when it comes to security solutions due to its robust design. It is ideal for internal or external use where doors may be subjected to considerable abuse.

**Metalbilt Solid Core Timber Doors** are perfect for internal use or in sheltered external areas. For medium security solutions. A 0.5 mm thick clad and capped option can be added for extra impact resistance.

*Over 60 years of manufacturing experience and continuous refinement.  
Service and repairs, 24 hours a day, on all makes of commercial doors.*

# Metalbilt® Heavy Duty Steel Framed Panel Doors - Specifications

	<b>HOLLOWCORE (HC) (Steel internal framing)</b>	<b>SOLIDCORE (SC) (Clad and capped optional)</b>
<b>FRAME OPTIONS</b>	Three standard profiles available (custom designed frames also available)	Three standard profiles available
<b>VISION PANEL</b>	Yes — suitable for internal and external installation.	Yes — suitable for internal (and external application if not steel clad & capped).
<b>LOUVRES</b>	Louvres available in a variety of sizes and airflow capabilities.	Louvres available in a variety of sizes and airflow capabilities.
<b>FRAME &amp; LEAF FINISH OPTIONS</b>	<ul style="list-style-type: none"> <li>Etch primer (standard finish).</li> <li>Dulux powdercoat colour range.</li> <li>2 Pot Epoxy.</li> </ul>	<ul style="list-style-type: none"> <li>Prime finished ready to paint (standard finish) by others.</li> <li>Spot primed galvanised (if steel clad &amp; capped).</li> <li>Dulux powdercoat colour range (if steel clad &amp; capped).</li> </ul>
<b>MAXIMUM HEIGHT</b>	Refer to sales	2400mm (ext.) 2700mm (int.)
<b>MAXIMUM WIDTH</b>	Refer to sales	1200mm
<b>LEAF THICKNESS</b>	Standard 45mm or custom engineered to suit desired leaf thickness.	Internal — 40 (std), 44, 55mm External — 44 (std), 54mm (Plus cladding & capping thickness)
<b>HINGES (fixed pin)</b>	<ul style="list-style-type: none"> <li>100x75x2.5 Galvanised (Standard).</li> <li>100x75x2.5 Stainless Steel (Medium Duty).</li> <li>100x100x3 Stainless Steel (Heavy Duty).</li> </ul>	Stainless Steel 100x75x2.5 (Medium Duty).
<b>LEVEL OF SECURITY</b>	High	Medium
<b>HEAD FLASHING REQUIRED</b>	Yes - No penetration permitted in leaf head if exterior; weatherproof by others	Yes - No penetration permitted in leaf head if exterior; weatherproof by others
<b>CUSTOM LEAF CLADDING</b>	Leaf can be designed to suit a range of cladding options	Available in <ul style="list-style-type: none"> <li>PQ hardboard</li> <li>Steel clad &amp; capped</li> <li>Aluminum clad, steel capped</li> <li>Timber veneers (internal)</li> </ul>
<b>ACOUSTIC RATING</b>	N/A	Acoustic rating up to 36 STC can be achieved
<b>NOMINAL LEAF WEIGHT</b>	External 45mm 27.5kg/m <sup>2</sup> Other options on request.	Interior 40mm 21.5kg/m <sup>2</sup> Interior 44mm 23.5kg/m <sup>2</sup> Interior 55mm 37.5kg/m <sup>2</sup> Exterior 44mm 19.5kg/m <sup>2</sup> Exterior 54mm 24.5kg/m <sup>2</sup>

Refer to sales for details on these features

We reserve the right to alter specification without notice and without incurring obligation.

Contact us for details of your nearest Metalbilt® representative.

**Auckland**  
Postal Address  
PO Box 71169 Rosebank  
Auckland 1348 New Zealand

Street Address  
26 Timothy Place Avondale  
Auckland 1026 New Zealand

Phone 09 828 1167  
Fax 09 828 6358  
Email mbilt.auck@metalbilt.co.nz

**Christchurch**  
Postal Address  
PO Box 6033 Upper Riccarton  
Christchurch 8442 New Zealand

Street Address  
92 Treffers Road, Wigram  
Christchurch 8024 New Zealand

Phone 03 338 2600  
Fax 03 338 4386  
Email mbilt.chch@metalbilt.co.nz

**Wellington**  
Postal Address  
PO Box 38933 Wellington Mail Centre  
Lower Hutt 5045 New Zealand

Street Address  
33 Marsden Street Melling  
Lower Hutt 5010 New Zealand

Phone 04 568 2933  
Fax 04 568 7337  
Email mbilt.well@metalbilt.co.nz

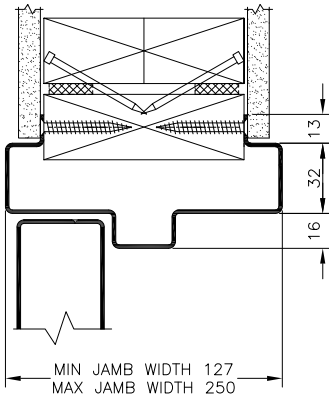


www.metalbilt.co.nz

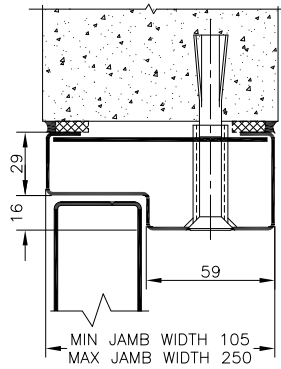
An RCR Infrastructure Company

# Metalbit® Hollow Core (Flush Panel) Jamb Detail

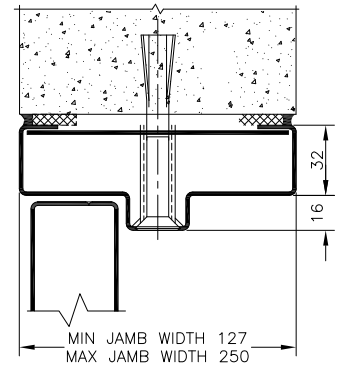
Metalbit® HCTA



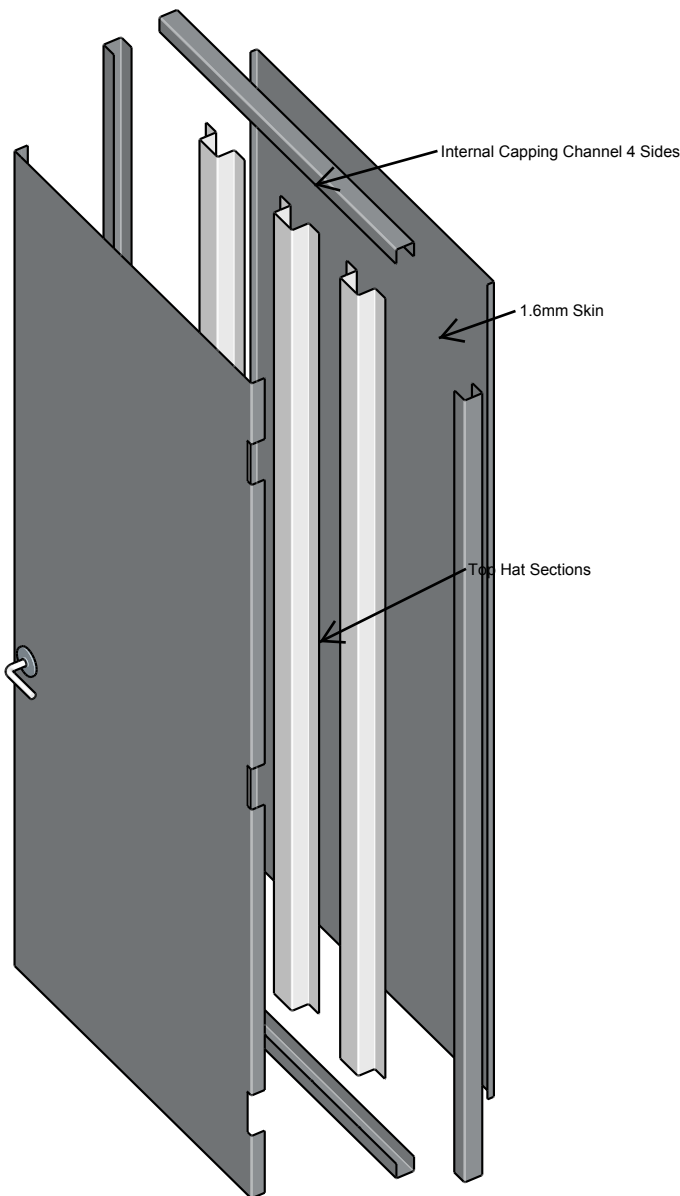
Metalbit® HCTB



Metalbit® HCTC



For custom hollow core (council specification) wing frame design, please contact our sales team for further assistance.



**LEAF**

"Hollow" steel construction consisting of 1.6mm steel skins bonded to an internal structure of pressed top hat sections.

The vertical edges are stitch welded and flushed smooth for a clean appearance. The bottom edge has a welded stainless steel channel with drainage holes to protect against corrosion.

**VISION PANELS**

The cut out in the leaf is strengthened with a welded steel perimeter to retain strength.

Exterior glazing beads can be welded in position or installed with security type screw fixings. Interior glazing beads can be installed with removable screw fixings, should reglazing be necessary. A galvanised "Z" beading with mitred corners is used to hold the glazing in position with a sealant to seal the edges.

**FRAME**

Single or double rebated, folded steel frames are constructed using 1.6mm steel sheet, with fully welded corners, which are ground flush.

Preparations are provided for lock strike plates and door hinges.

**HARDWARE**

2.5 pair stainless steel fixed pin hinges, or as required to support the weight of the leaf.

Locks, handles, closers etc. are typically supplied by your hardware supplier to Metalbit, to enable such hardware to be factory fitted, prior to despatch of the door to site.

Surface mounted items may be factory fitted, and then removed to avoid damage during transportation. These are to be site fitted by others, using factory preparations.

For select "Public Parks" projects, Metalbit may allow for supply and fitting of hardware, in line with a council performance specification.

**FINISH**

Door and frame are typically prime painted and supplied to site, as a pre-hung assembly, or two separated items, depending on the size of the components.

Powdercoating finish is also available using Dulux colour range. For special finishes please speak to one of our sales reps for more information.

We reserve the right to alter specification without notice and without incurring obligation.

Contact us for details of your nearest Metalbit® representative.

**Auckland**  
**Postal Address**  
 PO Box 71 169 Rosebank  
 Auckland 1348 New Zealand  
**Street Address**  
 26 Timothy Place Avondale  
 Auckland 1026 New Zealand  
**Phone** 09 828 1167  
**Fax** 09 828 6358  
**Email** mbilt.auck@metalbit.co.nz

**Christchurch**  
**Postal Address**  
 PO Box 6033 Upper Riccarton  
 Christchurch 8442 New Zealand  
**Street Address**  
 92 Treffers Road, Wigram  
 Christchurch 8024 New Zealand  
**Phone** 03 338 2600  
**Fax** 03 338 4386  
**Email** mbilt.chch@metalbit.co.nz

**Wellington**  
**Postal Address**  
 PO Box 38933 Wellington Mail Centre  
 Lower Hutt 5045 New Zealand  
**Street Address**  
 33 Marsden Street Melling  
 Lower Hutt 5010 New Zealand  
**Phone** 04 568 2933  
**Fax** 04 568 7337  
**Email** mbilt.well@metalbit.co.nz

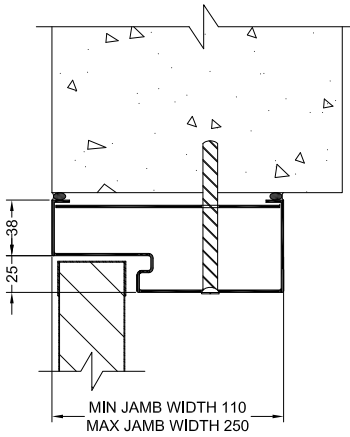


www.metalbit.co.nz

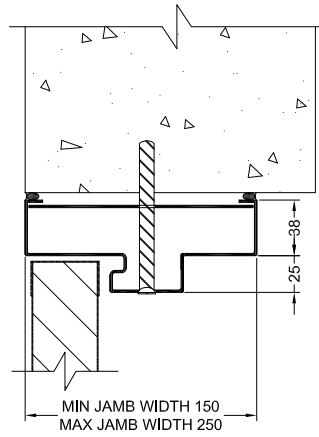
An RCR Infrastructure Company

# Metalbilt® Solidcore (Steel Clad & Capped) Jamb Detail

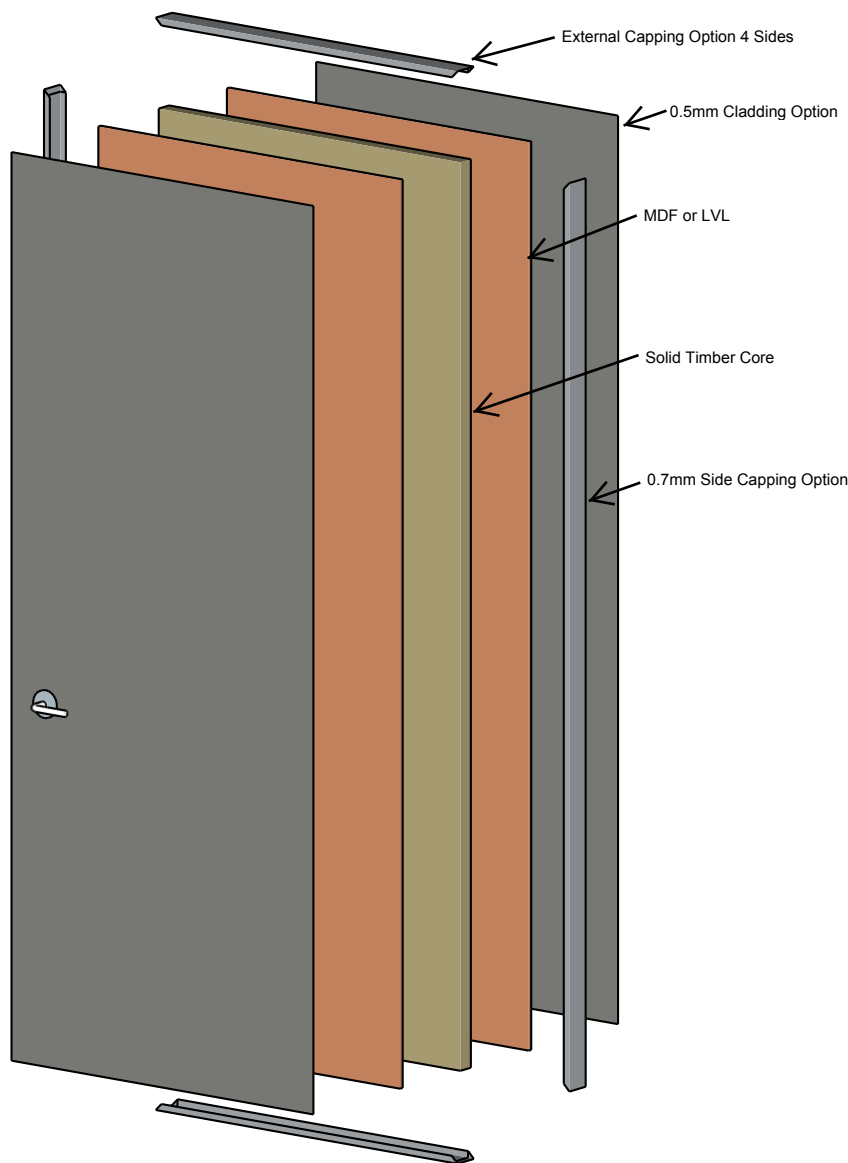
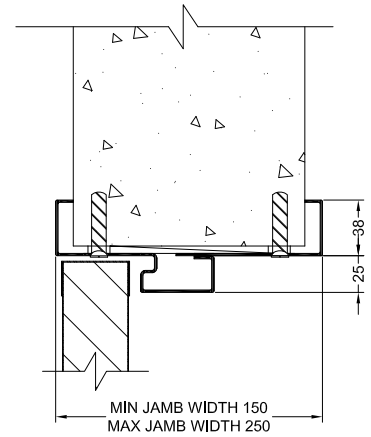
## Metalbilt® SCT5



## Metalbilt® SCT6



## Metalbilt® SCT7 Split frame



### LEAF

"Solidcore" timber leaf MDF faced for internal use. For external, or situations requiring more robust construction, we offer our P core marine ply LVL faced. We have a selection of leaf thicknesses available for your security and acoustic needs.

To prolong the life of the door, head flashings are required for external installations (by others).

### VISION PANELS

Internal/External glazing available in a wide range of sizes. Multiple vision panels permitted with different beading options also available (timber and aluminium). Please note: vision panels not available on exterior doors, if steel clad and capped.

### CLADDING

An internal/external quality timber solidcore can be clad on each face with a 0.5 mm galvanised steel or 1 mm aluminium sheet and then capped on all four edges with a 0.7 mm steel adhesive fixed folded channels. We also have a large range of veneers to choose from. (for more about our veneers please contact us)

### FRAME

Single or double rebated, folded steel frames are constructed using 1.6mm steel sheet, with fully welded corners, which are ground flush.

Preparations are provided for lock strike plates and door hinges.

### HARDWARE

We supply 100x75x2.5 stainless steel hinges, or as required to support the weight of the leaf. Metalbilt standard design configuration applies, hinges and hinge placement may vary depending on door size and type.

Where required, Locks, handles, closers etc. are typically supplied by your hardware supplier to Metalbilt, to enable such hardware to be detailed. Hardware will be supplied loose under separate cover.

Metalbilt has standard hardware also available which includes, Mortice and Cylindrical lockset and furniture options, Ryobi closer and custom kick plates.

### FINISH

Door and frame Spot primed electro galv steel for internal doors and spot primed Galv steel for external doors, supplied to site, as a pre-hung assembly, or two separated items, depending on the size of the components.

Powdercoating finish is also available using Dulux colour range for special finishes please speak to one of our sales reps for more information.

We reserve the right to alter specification without notice and without incurring obligation.

Contact us for details of your nearest Metalbilt® representative.

**Auckland**  
Postal Address  
PO Box 71169 Rosebank  
Auckland 1348 New Zealand

Street Address  
26 Timothy Place Avondale  
Auckland 1026 New Zealand

Phone 09 828 1167  
Fax 09 828 6358  
Email [mbilt.auck@metalbilt.co.nz](mailto:mbilt.auck@metalbilt.co.nz)

**Christchurch**  
Postal Address  
PO Box 6033 Upper Riccarton  
Christchurch 8442 New Zealand

Street Address  
92 Treffers Road, Wigram  
Christchurch 8024 New Zealand

Phone 03 338 2600  
Fax 03 338 4386  
Email [mbilt.chch@metalbilt.co.nz](mailto:mbilt.chch@metalbilt.co.nz)

**Wellington**  
Postal Address  
PO Box 38933 Wellington Mail Centre  
Lower Hutt 5045 New Zealand

Street Address  
33 Marsden Street Melling  
Lower Hutt 5010 New Zealand

Phone 04 568 2933  
Fax 04 568 7337  
Email [mbilt.well@metalbilt.co.nz](mailto:mbilt.well@metalbilt.co.nz)



[www.metalbilt.co.nz](http://www.metalbilt.co.nz)

An RCR Infrastructure Company