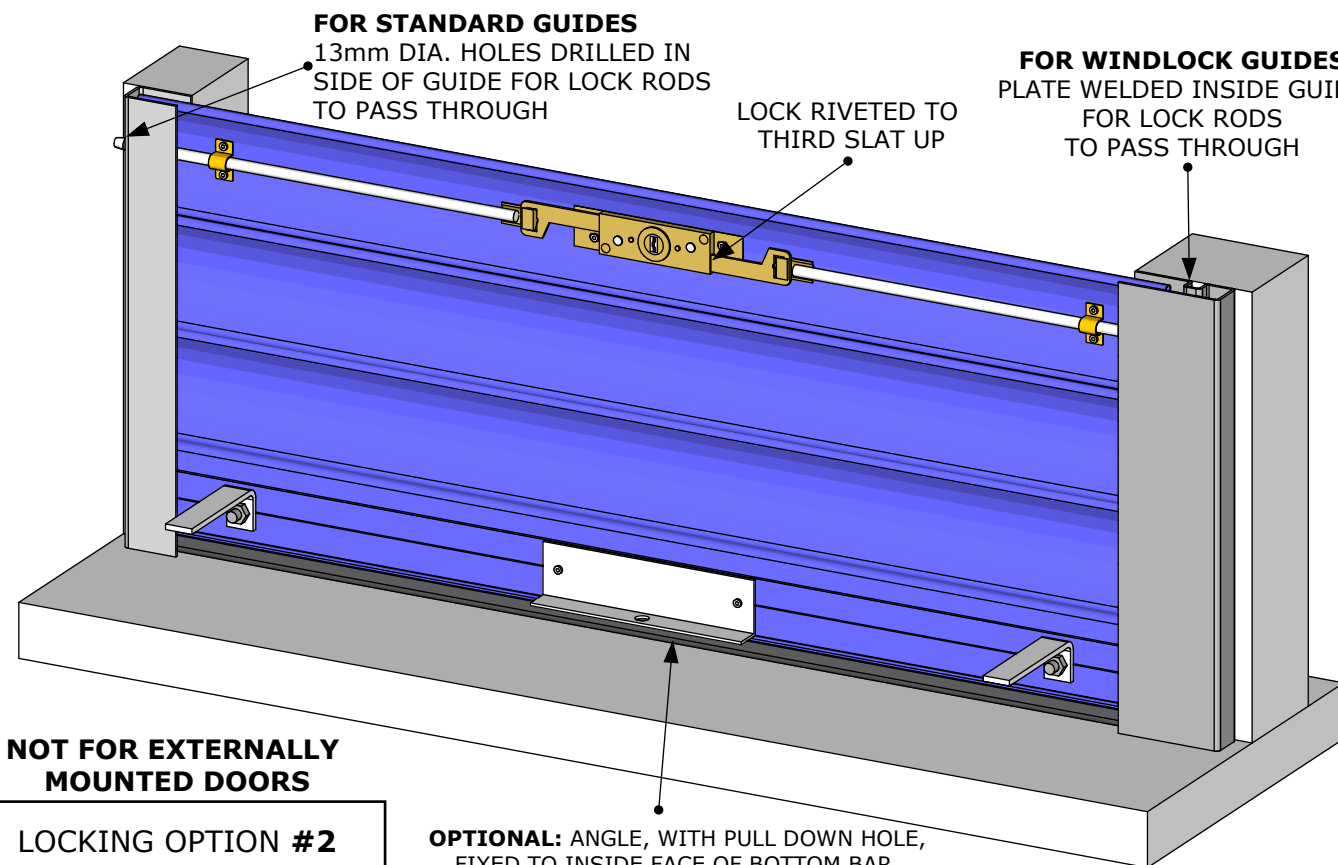


LOCKING OPTION #1
PAD BOLT LOCKING

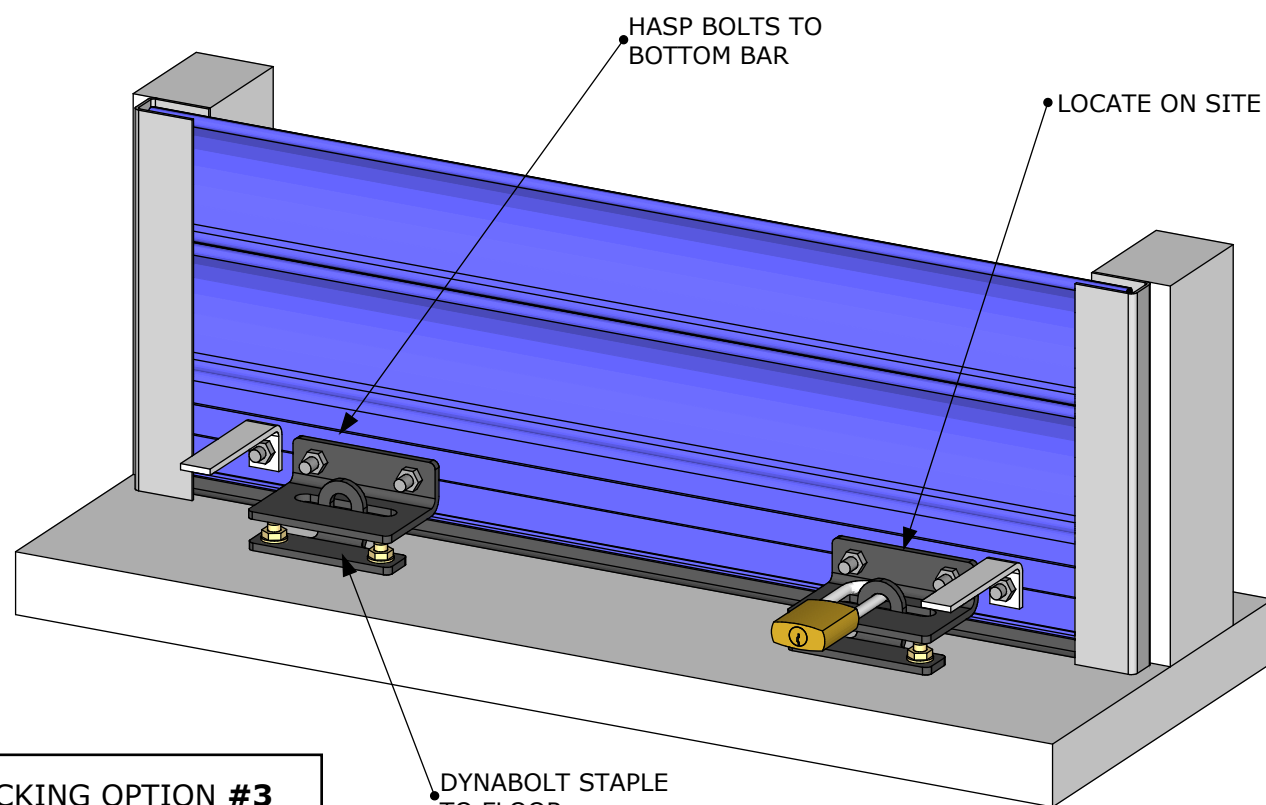
BOTTOM BAR STOPS FIXED FURTHER TOWARDS CENTRE OF DOOR. FOR THIS REASON THEY ARE ONLY FITTED TO THE EXTERNAL FACE OF DOOR



NOT FOR EXTERNALLY MOUNTED DOORS

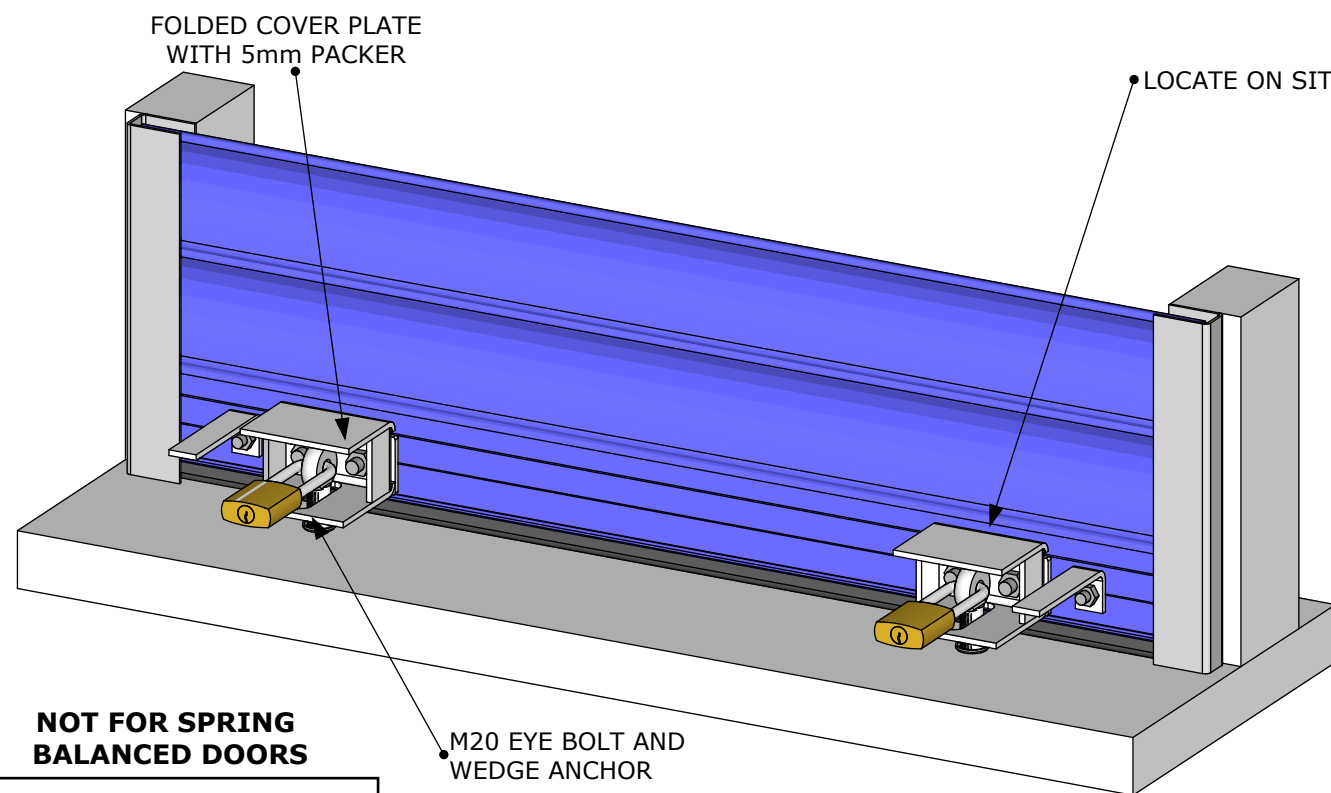
LOCKING OPTION #2
CENTRAL LOCKING

OPTIONAL: ANGLE, WITH PULL DOWN HOLE, FIXED TO INSIDE FACE OF BOTTOM BAR AVAILABLE WITH ALL SPRING BALANCED LOCKING OPTIONS



LOCKING OPTION #3
HASP AND STAPLE

DYNABOLT STAPLE TO FLOOR



NOT FOR SPRING BALANCED DOORS

LOCKING OPTION #4
HD EYE BOLT LOCKING

M20 EYE BOLT AND WEDGE ANCHOR

SUPPLIED BY BRANCHES

LOCKING NOT RECOMMENDED ON MOTORISED DOORS UNLESS ELECTRICAL INTERLOCK FITTED (BY OTHERS)

STEEL ROLLER SHUTTER LOCKING OPTIONS

22.09.14

REV A

