



Metalbilt® 12mm Tube Aluminium Grilles

Applications

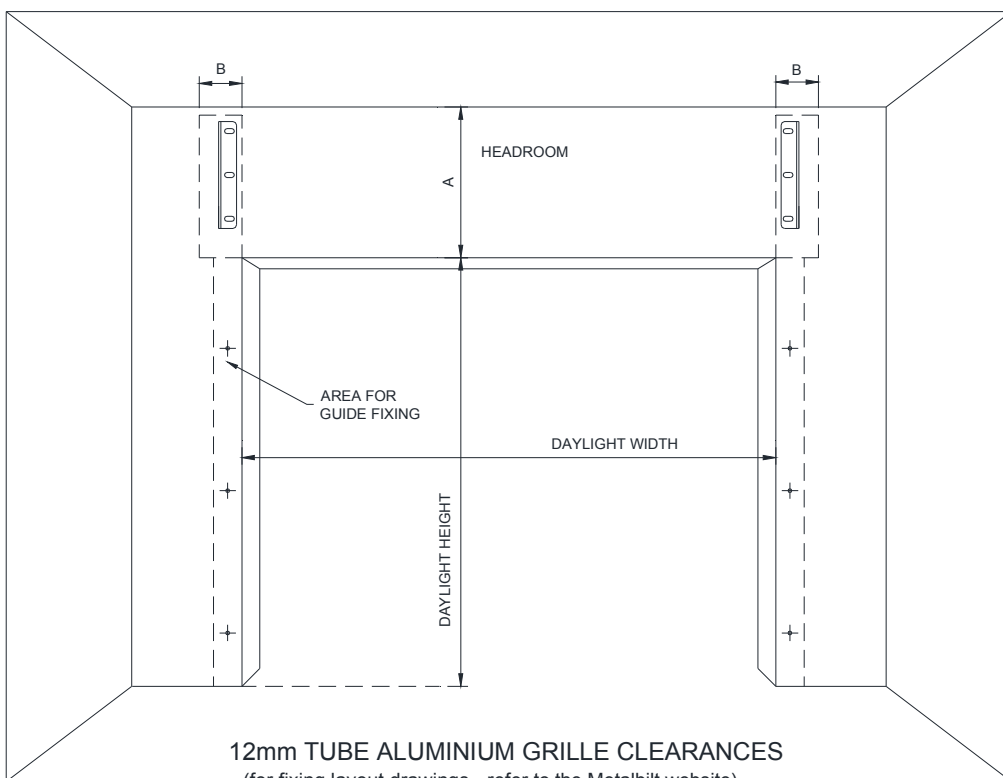
Bar tops, counter tops, shop fronts, pedestrian openings, arcades or anywhere that requires a high level of visibility and finish.

Features

- Curtains are constructed from individual 12mm diameter aluminium tubes connected with black nylon links
- Operated by spring balance or motorised
- Fixed or removable mullion options are available
- An extensive range of powder coating colours can be offered
- Grilles are custom made to fit the size of opening and structure of building
- Branches in Auckland, Wellington and Christchurch

*Over 55 years of manufacturing experience and continuous refinement.
Service and repairs, 24 hours a day, on all makes of commercial doors.*

Metalbilt® 12mm Tube Aluminium Grilles - Specifications



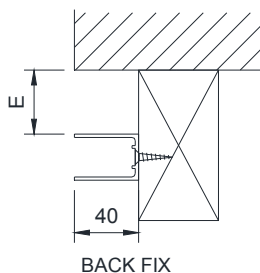
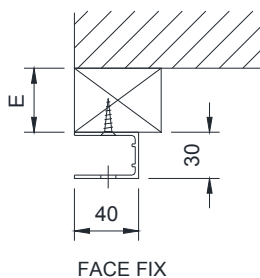
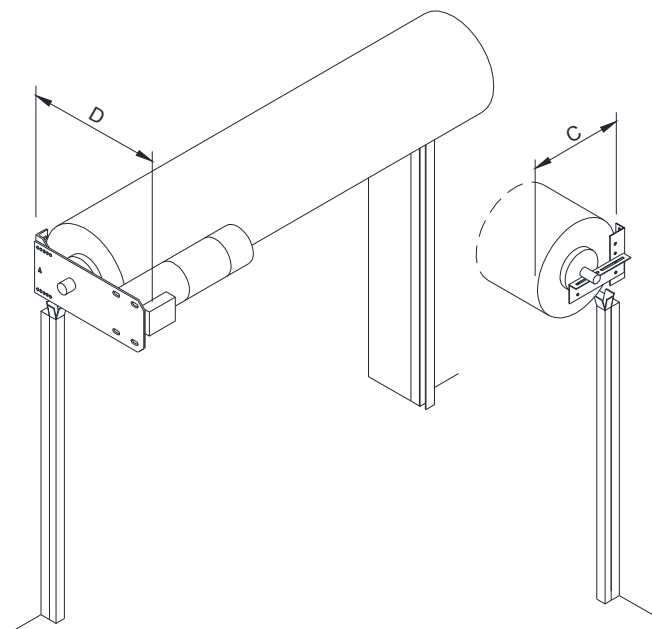
12mm TUBE ALUMINIUM GRILLE CLEARANCES
(for fixing layout drawings - refer to the Metalbilt website)

HEIGHT OF OPENING	HEADROOM	SIDEROOM	INSIDE PROJECTION BARREL	INSIDE PROJECTION MOTOR	GUIDE PACKER SIZE
	A	B	C	D	E
0 - 1.25	380	120	330	605	0
1.25 - 2.0	410	120	380	635	0
2.0 - 3.0	450	120	415	650	40
3.0 - 4.0	500	120	450	715	50

For max sizes refer to the Security Grille and Shutter Selection Chart
(Available on the Metalbilt website)

GUIDE DETAILS

Packer by others (to lintel only)



CURTAIN

Assembled from 12mm aluminium tubes and moulded nylon links into a brick pattern. The tubes and links can be replaced individually if damaged. Fitted to the lower edge of the curtain is an extruded aluminium bottom bar.

GUIDES

Specially extruded aluminium channel 40mm x 30mm. Guides screwed to jambs at max. 600mm centres. Each guide is constructed with a bell mouth to facilitate smooth entry of the curtain.

FINISH

Clear anodised or powder coated.

BARREL

Grille barrels are fabricated from mild steel tube with a minimum diameter of 165mm and of sufficient wall thickness to ensure that nominal deflection does not exceed safe working conditions. Helically wound counterbalance springs are contained within the barrel.

SECURITY

Flush mounted lock with various keying options.

OPERATION

Spring balanced or motorised. Motorised grilles have single phase Low Cycle Motorising (LCM) with adjustable limit switches and control pendant. Operating speed is approximately 200mm per second. The LCM's incorporate an automatically engaging handchain for use during power failures.

Single phase internal barrel motors supplied with a manual crank attachment are also an option.

Battery backup systems are available.

Key switches and door controllers that accept signals from a range of activation features are also available. Special motorising options and barrel mounting methods are available on request.

MAINTENANCE

Ensure access is available for servicing and maintenance.

We reserve the right to alter specification without notice

Contact us for details of your nearest Metalbilt® representative.

Auckland Postal Address
PO Box 71169 Rosebank
Auckland 1348 New Zealand

Street Address
26 Timothy Place Avondale
Auckland 1026 New Zealand

Phone 09 828 1167
Fax 09 828 6358
Email mbilt.auck@rcrtom.com.au

Christchurch Postal Address
PO Box 6033 Upper Riccarton
Christchurch 8442 New Zealand

Street Address
25 Baigent Way Middleton
Christchurch 8024 New Zealand

Phone 03 338 2600
Fax 03 338 4386
Email mbilt.chch@rcrtom.com.au

Wellington Postal Address
PO Box 38933 Wellington Mail Centre
Lower Hutt 5045 New Zealand

Street Address
33 Marsden Street Melling
Lower Hutt 5010 New Zealand

Phone 04 568 2933
Fax 04 568 7337
Email mbilt.well@rcrtom.com.au



www.metalbilt.co.nz